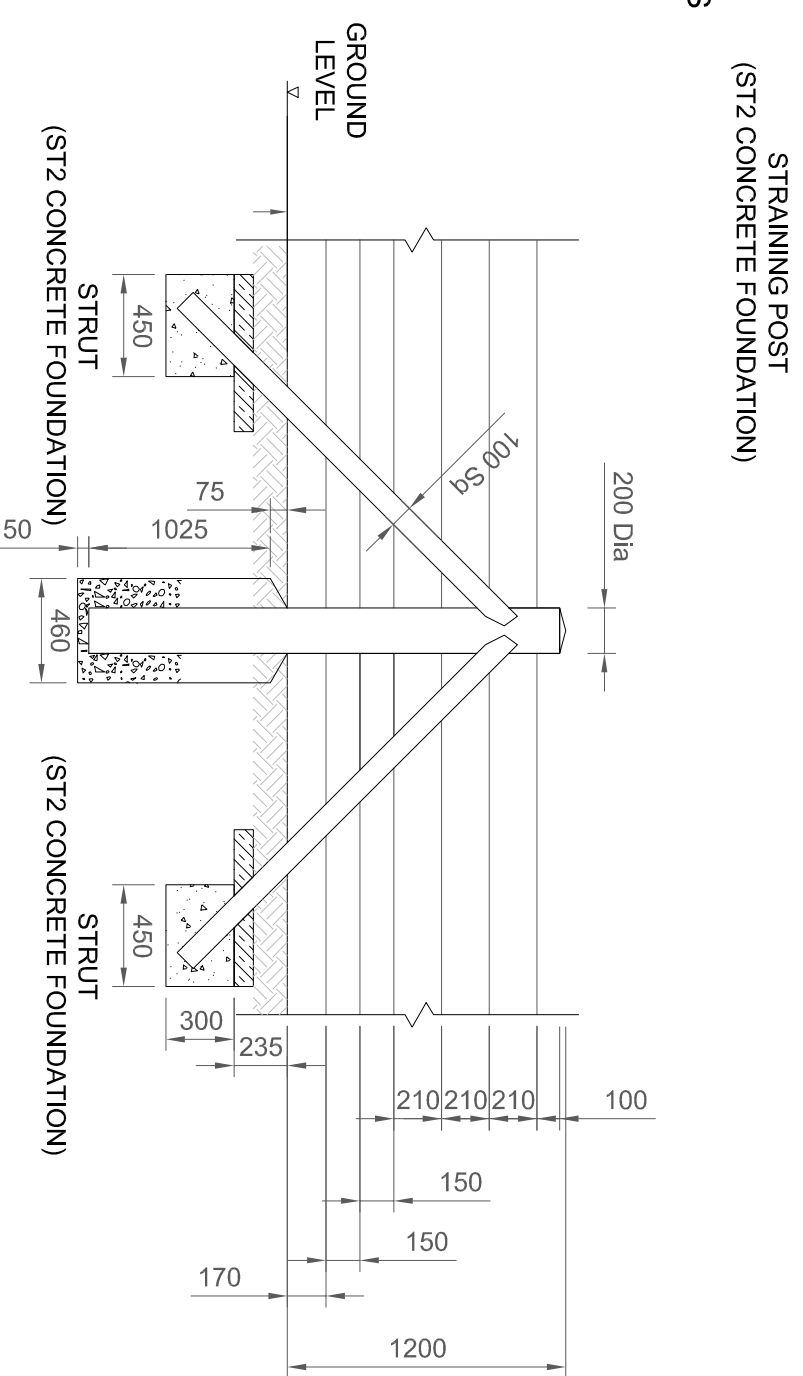


SECTION THROUGH CENTERLINE OF MAIN POSTS



STRAINING POSTS -  
(200 Ø min x 2300mm Long)  
To be provided at all ends, acute corners and at intervals not greater than 150m on straight sections.

TURNING/CONTOUR POSTS -  
(200 Ø min x 2300mm Long)  
To be provided at obtuse corners and at acute ground undulations.

INTERMEDIATE POSTS -  
(75 x 75mm min X 2020mm Long)  
To be provided at 1,8m centres max and at acute variations in level.

TIMBER POST AND WIRE FENCE TYPE F2

TIMBER POST AND WIRE FENCE TYPE F2

CLIENT TRANSPORT SCOTLAND The Scottish Government	PROJECT TITLE	M8 M73 M74 Motorway Improvements	
	REV	REVISIONS	AMENDMENTS
		BY	CHKD APPD DATE
		BY	CHKD APPD DATE
		DATE	DATE
		DATE	DATE
		DATE	DATE
<p>This map is based upon Ordnance Survey material with the permission of Ordnance Survey on behalf of the Controller of the Majesty's Stationery Office (Crown Copyright). Any material reproduced hereunder is the property of Ordnance Survey and its use is restricted to the purposes for which it was provided. Ordnance Survey Licence Number: 100046668. 2011.</p>		DESIGN BY:	CHECKED BY:
		DATE:	DATE:
		DATE:	DATE:
		DATE:	DATE:
		DATE:	DATE:
		DATE:	DATE:
		DATE:	DATE:
 		ENGINEER	
DRAWING TITLE		SCALE @ A3	DRAWING NO
Accommodation Works Timber Post and Wire Type F2		N/S	M8MFJV/AW/002
		REV	-

- NOTES**
1. All dimensions are in millimetres.
  2. All posts and struts to be sawn timber.
  3. BS 1722 Part 2 applies unless otherwise stated.
  4. Details of posts and connections shall be in accordance with Drawing Nos. M8MFJV/AW/003 F3 and 004 F4.
  5. The wire shall be fixed on the field side of the fence unless otherwise stated.
  6. Posts can be supported by rammed backfill or concrete ST2 as required.
  7. Where plain or barbed wire is required it shall be comply with BS EN 10223-4.