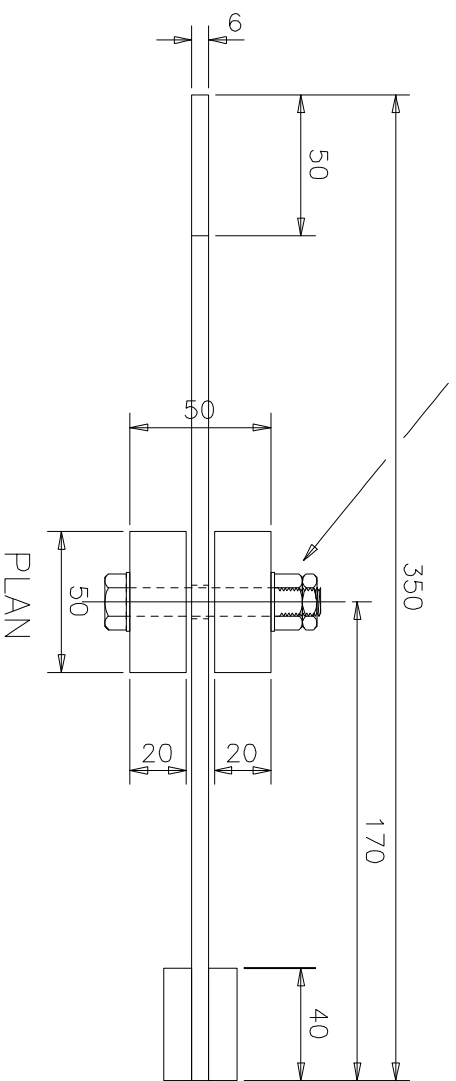
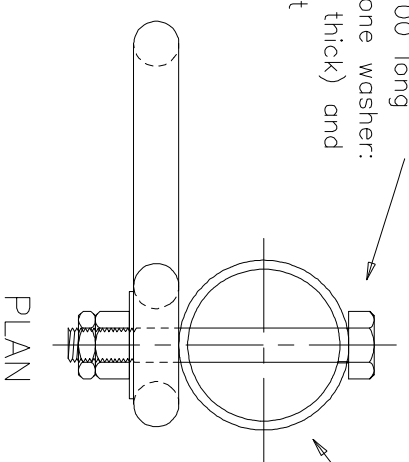


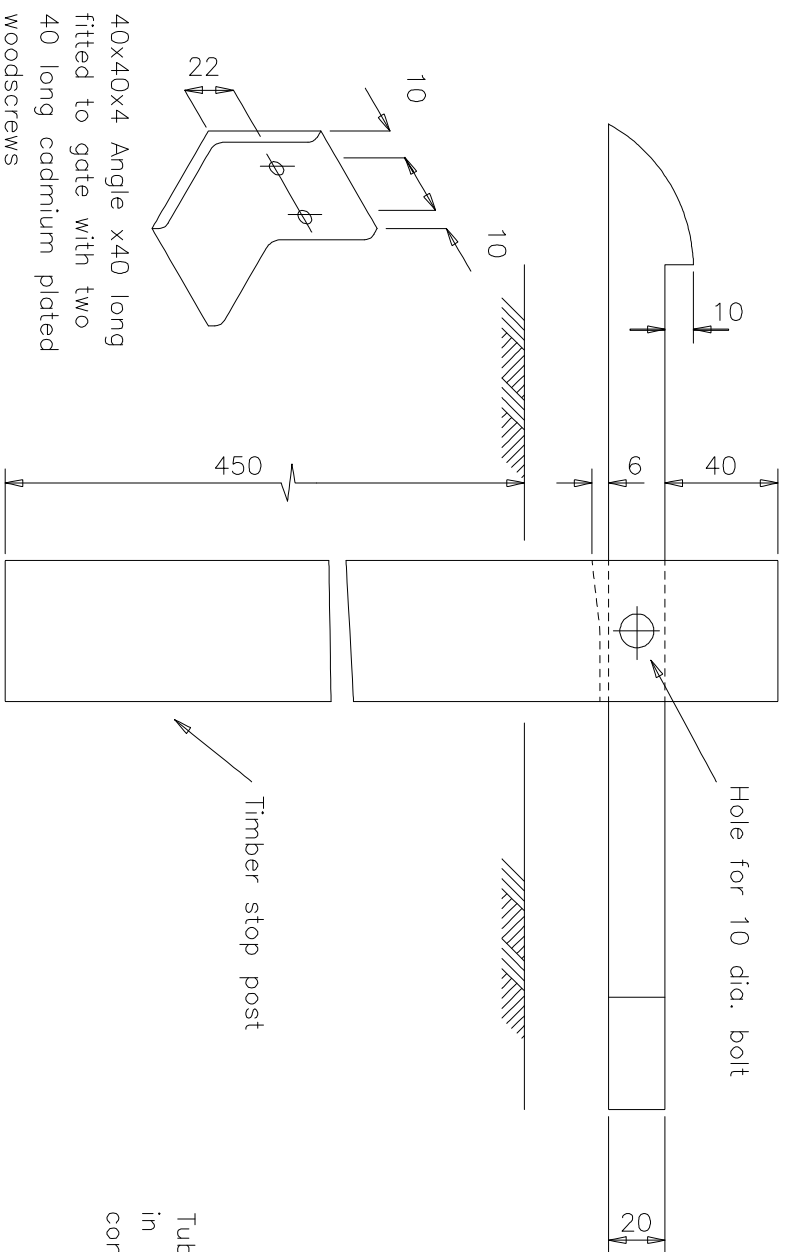
10 dia. bolt x 70 long complete with two washers, one nut and locknut (alternatively one self-locking nut)



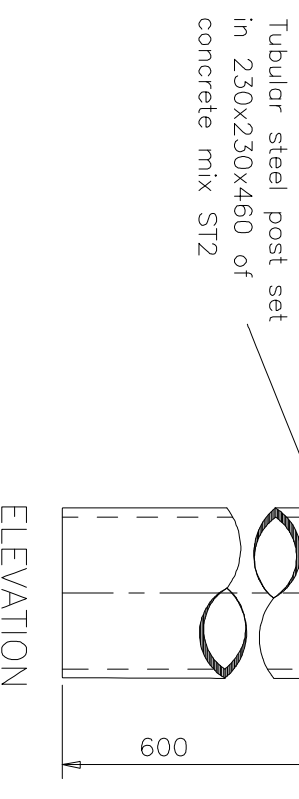
12 dia. bolt x100 long complete with one washer: (38 o/dia x 2 thick) and nut and locknut  
60.3 o/dia. tube  
3.2 minimum wall thickness.



Dimension 'X'	Suitable for gates on Drawing nos.
500 mm	H17 , H19 , H20
635 mm	H18



ELEVATION

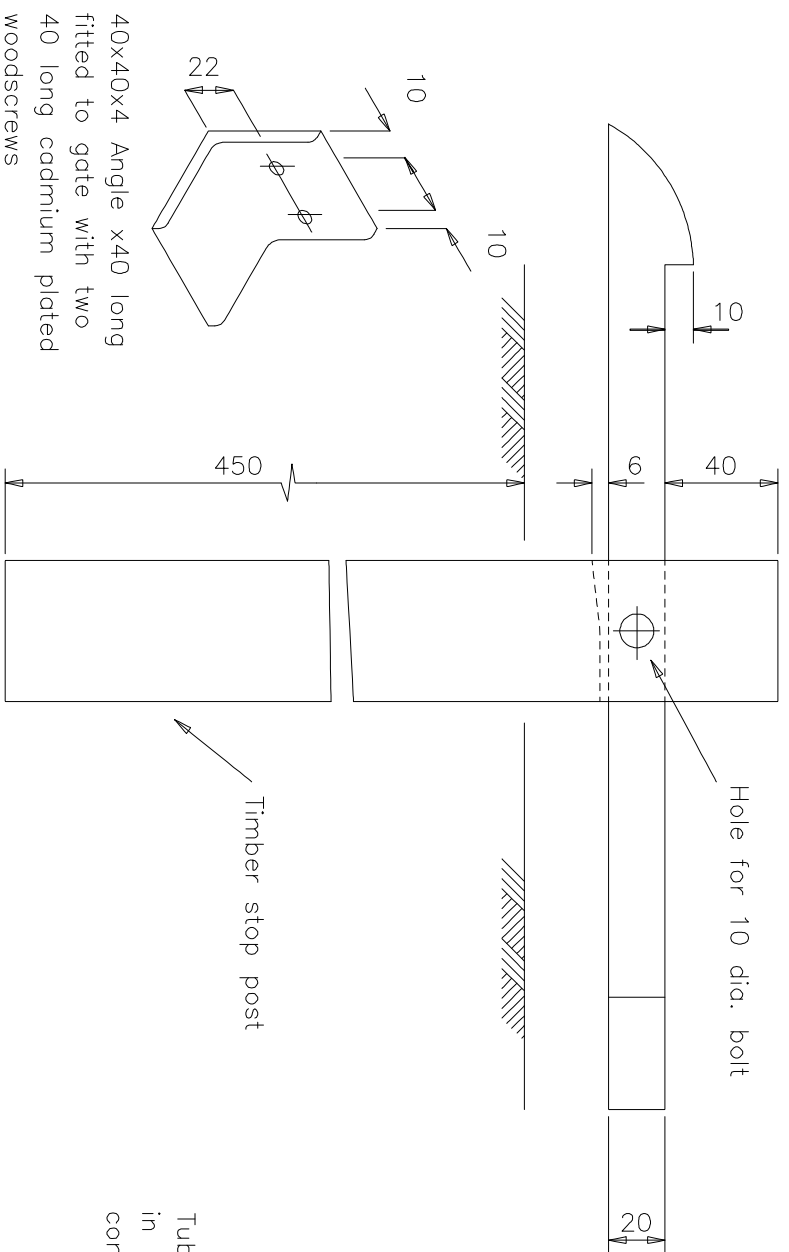


ELEVATION

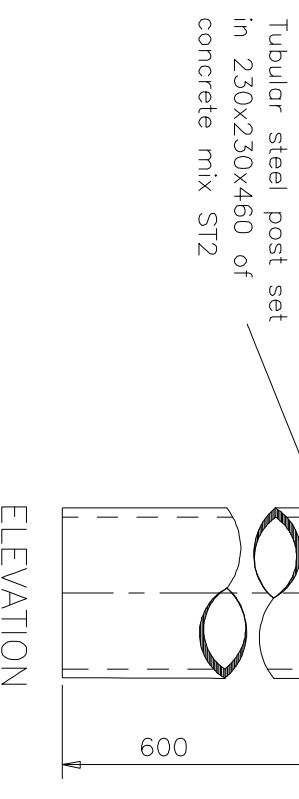
SELF LATCHING STOP POST  
FOR TIMBER GATES

HOLDING BACK STOP POST  
FOR STEEL GATES

- NOTES
1. ALL DIMENSIONS ARE IN MILLIMETRES UNLESS OTHERWISE STATED.
  2. Gate fittings shall comply with BS 3470 or BS 5709
  3. All metal fittings and bolts shall be galvanized steel.



ELEVATION



ELEVATION

SELF LATCHING STOP POST  
FOR TIMBER GATES

HOLDING BACK STOP POST  
FOR STEEL GATES

- NOTES
1. ALL DIMENSIONS ARE IN MILLIMETRES UNLESS OTHERWISE STATED.
  2. Gate fittings shall comply with BS 3470 or BS 5709
  3. All metal fittings and bolts shall be galvanized steel.

	CLIENT	PROJECT TITLE	<b>M8 M73 M74 Motorway Improvements</b>		
	<p>DESIGN BY: DM</p> <p>DATE: JAN 10</p> <p>CHECKED BY: MAB</p> <p>DATE: JAN 10</p>	<p>REVISIONS</p> <p>AMENDMENTS</p>	<p>BY</p> <p>CHKD</p> <p>APPD</p> <p>DATE</p>	<p>DATE</p> <p>DATE</p> <p>DATE</p>	<p>CONTRACT</p>
<p>This map is based upon Ordnance Survey material with the permission of Ordnance Survey on behalf of the Controller of the Majesty's Stationery Office (C) Crown Copyright 2011. Any material published here is the property of the Scottish Executive and may be used for presentation or in 1:100000 scale maps only.</p>					
		ENGINEER	<p>Accommodation Works /G4 Standard gate stop Type G1</p>		
<p>SCALE @ A3 N/S</p>		DRAWING NO	<p>M8M73/AW/103</p>		
		REV	<p>—</p>		