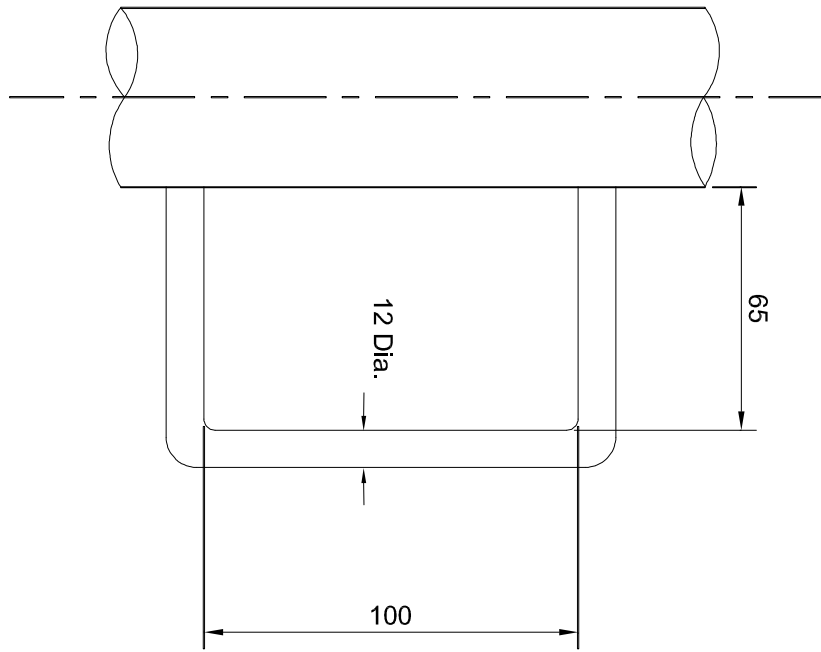
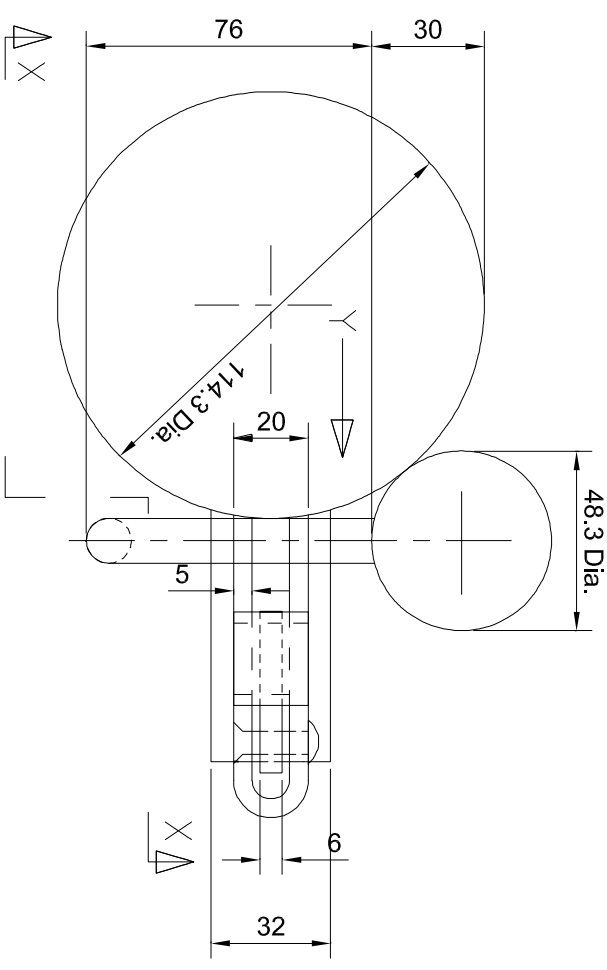


ELEVATION X-X

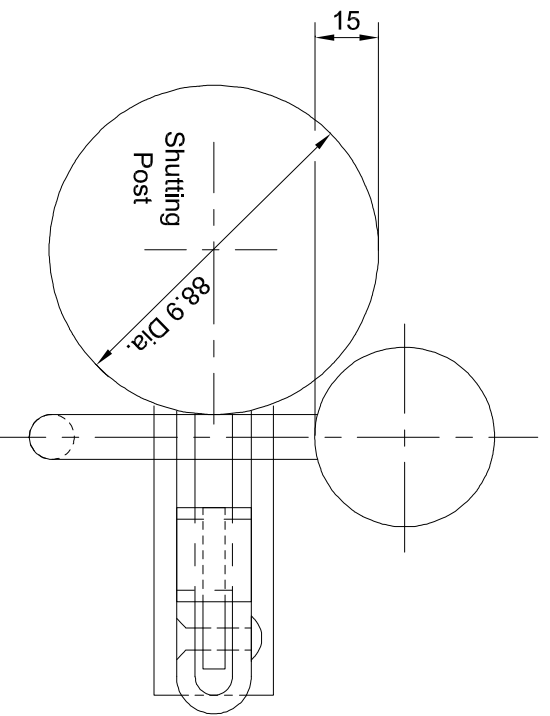


VIEW ON ARROW Y



PLAN

(With 114.3 dia. shutting post)



PLAN

(With 88.9 dia. shutting post)

**NOTES**

1. All dimensions are in millimeters.
2. Gates shall comply with BS 3740.
3. All fittings and bolts shall be galvanized steel.

				<p>CLIENT</p>																																						
<p>PROJECT TITLE</p> <p><b>M8 M73 M74</b></p> <p><b>Motorway Improvements</b></p>		<p>REVISIONS</p> <table border="1"> <thead> <tr> <th>REV</th> <th>DESCRIPTION</th> <th>DATE</th> </tr> </thead> <tbody> <tr> <td> </td> <td> </td> <td> </td> </tr> <tr> <td> </td> <td> </td> <td> </td> </tr> <tr> <td> </td> <td> </td> <td> </td> </tr> <tr> <td> </td> <td> </td> <td> </td> </tr> </tbody> </table>		REV	DESCRIPTION	DATE													<p>AMENDMENTS</p> <table border="1"> <thead> <tr> <th>BY</th> <th>CHKD</th> <th>APPD</th> <th>DATE</th> </tr> </thead> <tbody> <tr> <td> </td> <td> </td> <td> </td> <td> </td> </tr> <tr> <td> </td> <td> </td> <td> </td> <td> </td> </tr> <tr> <td> </td> <td> </td> <td> </td> <td> </td> </tr> <tr> <td> </td> <td> </td> <td> </td> <td> </td> </tr> </tbody> </table>		BY	CHKD	APPD	DATE																	<p>DESIGN BY: DM</p> <p>DATE: JAN 10</p> <p>DRAWN BY: DM</p> <p>DATE: JAN 10</p>	
REV	DESCRIPTION	DATE																																								
BY	CHKD	APPD	DATE																																							
<p>ENGINEER</p> <p><b>mouchel FAIRHURST</b></p> <p>IN ASSOCIATION WITH</p> <p><b>SIAS amec</b></p>		<p>CHECKED BY: MJB</p> <p>DATE: JAN 10</p> <p>APPROVED BY: WW</p> <p>DATE: JAN 10</p>		<p>DRAWING STATUS</p> <p>CONTRACT</p>																																						
<p>DRAWING TITLE</p> <p><b>ACCOMMODATION WORKS / G11</b></p> <p><b>'D' LATCH, TYPE G11 FOR STEEL</b></p> <p><b>SINGLE FIELD GATES TYPE G9</b></p>		<p>SCALE @ A3</p> <p>N/S</p>		<p>DRAWING NO</p> <p><b>M8MFJV/AW/110</b></p>																																						
<p>REV</p> <p>—</p>		<p>DESIGN BY: DM</p> <p>DATE: JAN 10</p> <p>DRAWN BY: DM</p> <p>DATE: JAN 10</p>		<p>CONTRACT</p>																																						

This map is based upon Ordnance Survey material with the permission of Ordnance Survey on behalf of the Controller of the Majesty's Stationery Office (Crown Copyright 2011). Any material reproduced hereunder without the permission of the Controller of the Copyright and Designs Act 1988, and any other copyright owner, may lead to prosecution or civil proceedings.