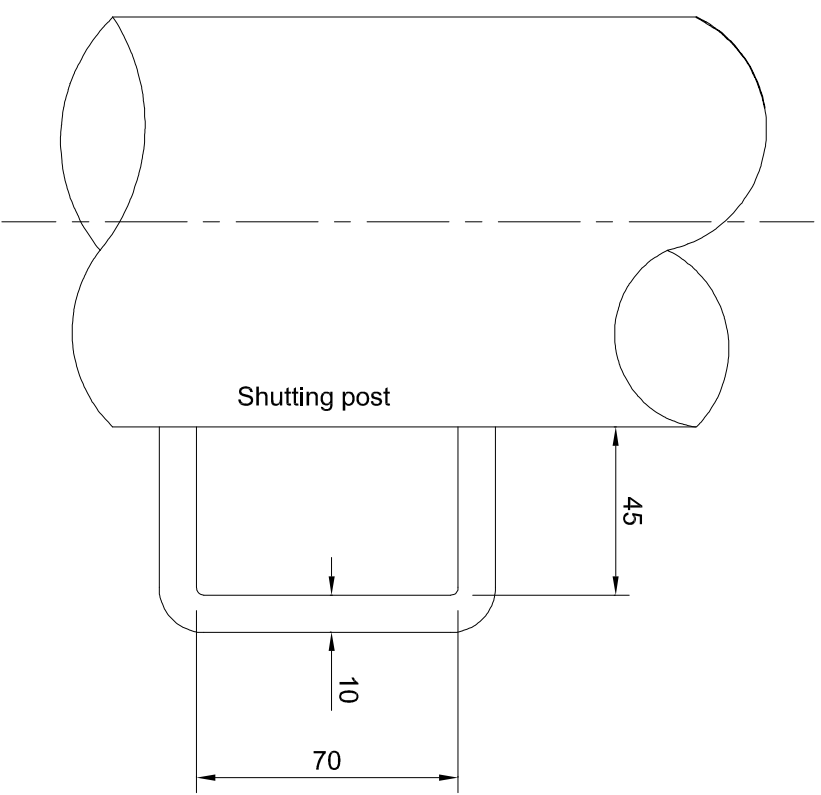


Sectional detail of sliding catch.

ELEVATION

PLAN



DETAIL AT SHUTTING POST
(Positioned on shutting post to suit sliding bolt)

NOTES

1. All dimensions are in millimeters.
2. Gates fittings shall be comply with BS 5709 or BS 3470 as appropriate.
3. All fittings and bolts shall be galvanized steel.

CLIENT		PROJECT TITLE		DRAWING TITLE	
 The Scottish Government		M8 M73 M74 Motorway Improvements		ACCOMMODATION WORKS / G12 SINGLE BOLT LATCH, TYPE G12 FOR STEEL SINGLE FIELD GATES FOR TYPE G9	
REV	REVISIONS	BY	CHKD	APPD	DATE
AMENDMENTS		DRAWING STATUS			
		CONTRACT			
<small>This map is based upon Ordnance Survey material with the permission of Ordnance Survey on behalf of the Controller of the Majesty's Stationery Office (C) Crown Copyright 2011. Any unauthorised reproduction of this map in any form or by any means may lead to prosecution or civil proceedings.</small>					
DESIGN BY:	DM	CHECKED BY:	MAB		
DATE:	JAN 10	DATE:	JAN 10		
DRAWN BY:	DM	APPROVED BY:	WW		
DATE:	JAN 10	DATE:	JAN 10		
ENGINEER		 IN ASSOCIATION WITH 			
		SCALE @ A3	DRAWING NO	REV	
		MMS	M8MFJV/AW/111		