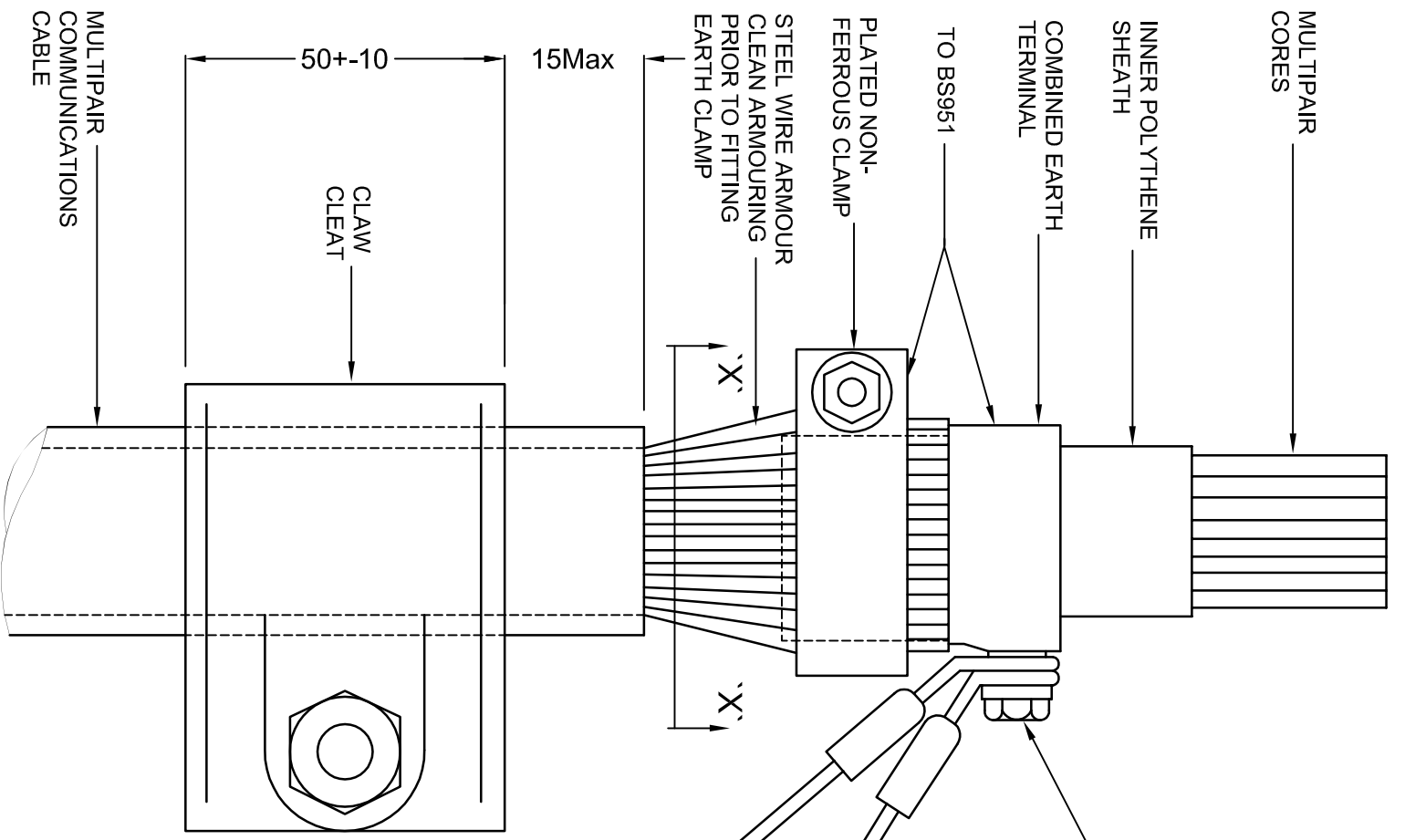
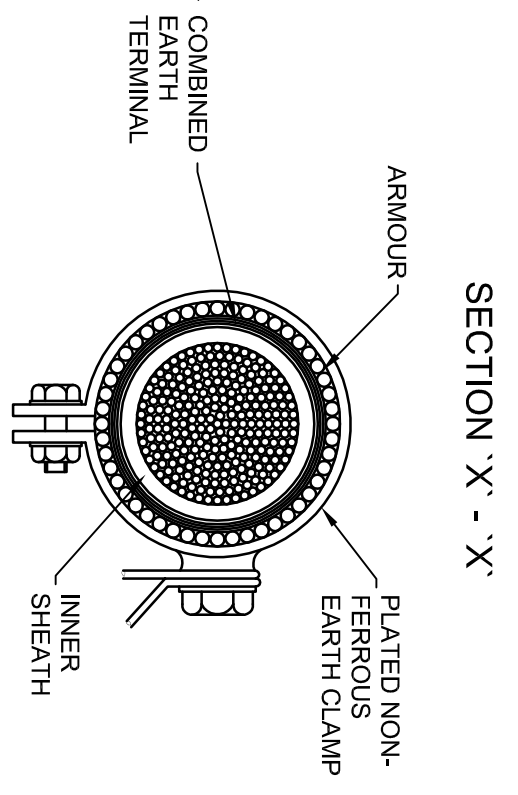
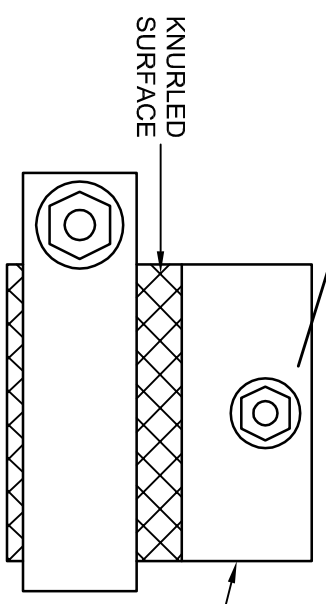


Note:  
The NDX series of drawings represents non site specific installations of standard equipment and site layouts.

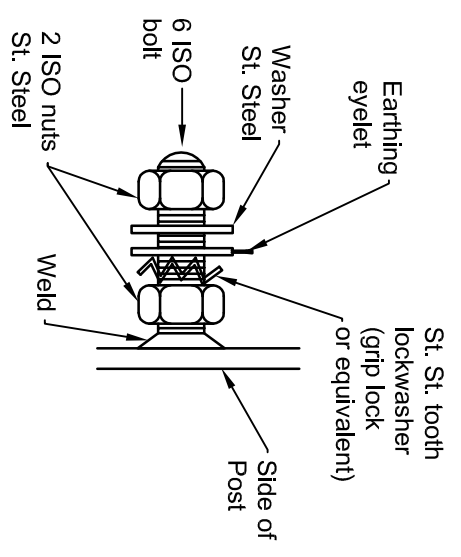


6mm EARTH "TAKE OFF" SCREW

6mm2 STRANDED COPPER WITH A GREEN/YELLOW PVC SLEEVE LINKED BETWEEN EACH CABLE AND CABINET EARTH POINT, ENSURE ALL EARTH POINTS ARE CLEAN PRIOR TO TERMINATION.



- NOTES
1. ALL ELECTRICAL WIRING CARRIED OUT BY THE CONTRACTOR SHALL MEET BS 7671 THE I.E.E. REGULATIONS FOR ELECTRICAL INSTALLATIONS.
  2. THE CONTRACTOR SHALL SUPPLY AND INSTALL AS NECESSARY THE FOLLOWING :-  
a) COMBINED EARTH TERMINAL  
b) EARTH WIRE  
c) CLAW CLEATS
  3. POSSIBLE SUPPLIERS OF CLAW CLEATS AS SPECIFIED ARE B.I.C.C..



This drawing was generated on computer and must not be manually updated

TYPICAL HA 600 CABINET COMMUNICATIONS CABLE CLAMPING,  
EARTH STUD & GENERAL EARTHING DETAIL

ORIGINAL DRAWING SIZE: 297 x 420	DRN	C.S.G.	CHKD	B.D.	SCALE
ALL DIMENSIONS ARE IN MM	DATE	25.09.01	DATE	29.09.01	N.T.S.
TOLERANCE +/- 1 UNLESS OTHERWISE STATED	DRG. NO.	NDX1002-01dt			SHT. NO.
THIRD ANGLE PROJECTION DO NOT SCALE	ISSUE	AMENDMENTS	APPD/DATE		
	B	REDRAWN	BD 13/10/09		
	A	FOR INFORMATION	BD 19/01/03		
	C	UPDATED SEE REV. SHT.	BD 30/1/09		