

Note:  
The NDX series of drawings represents non site specific installations of standard equipment and site layouts.

TITLE

This drawing was generated on computer and must not be manually updated

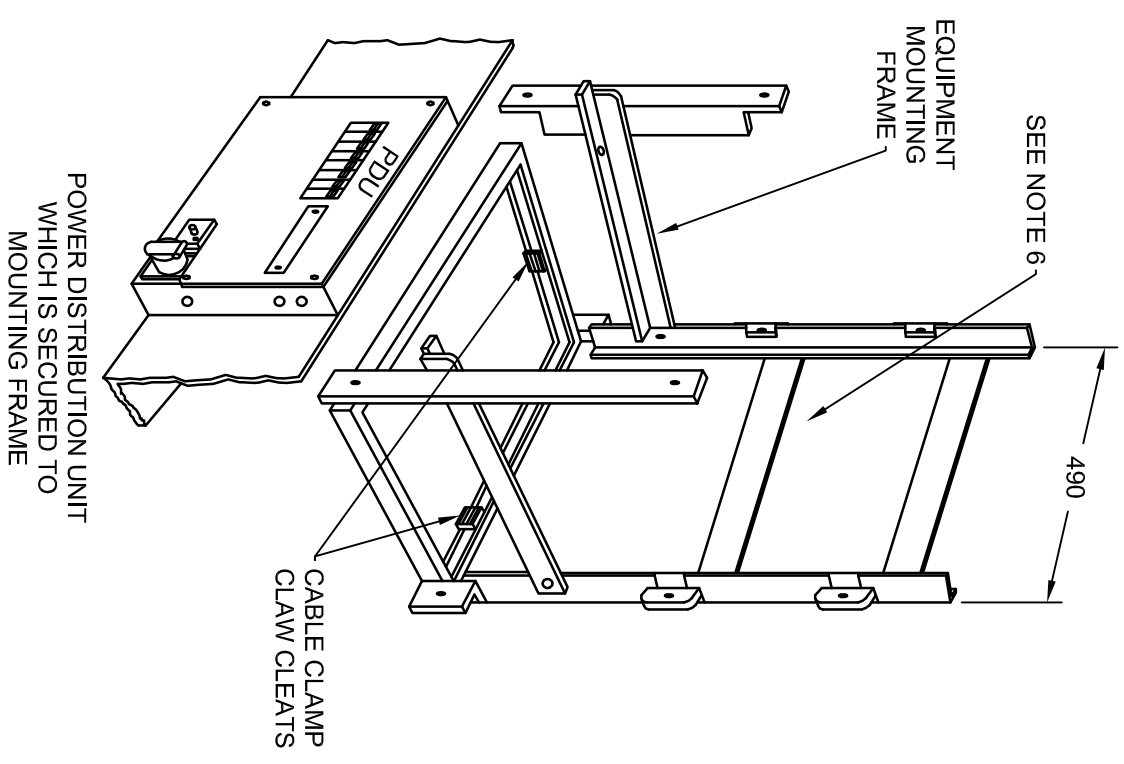
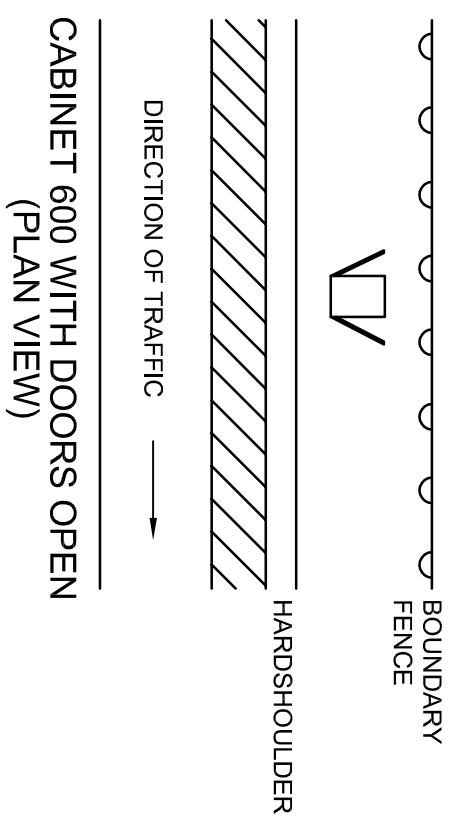
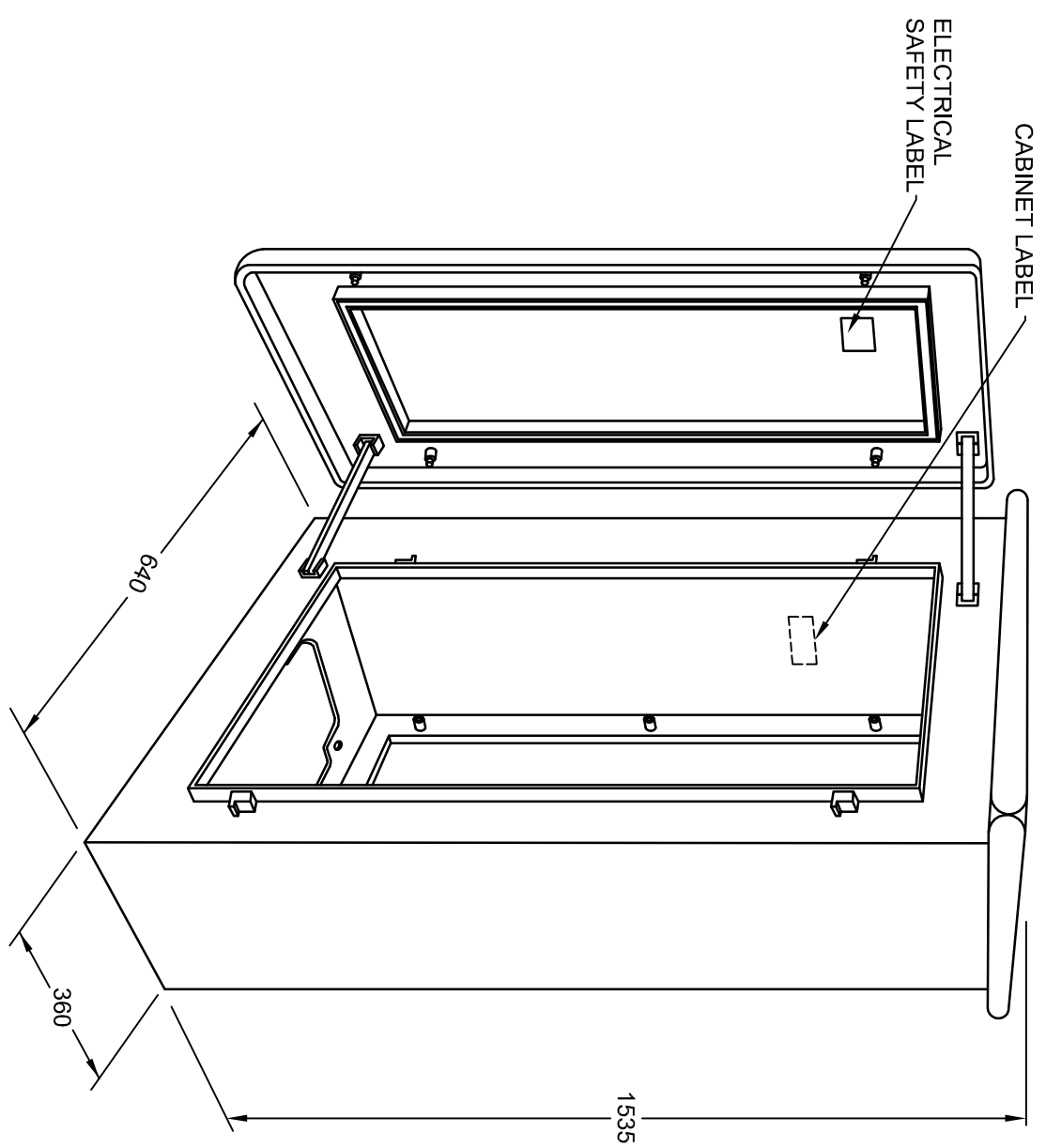
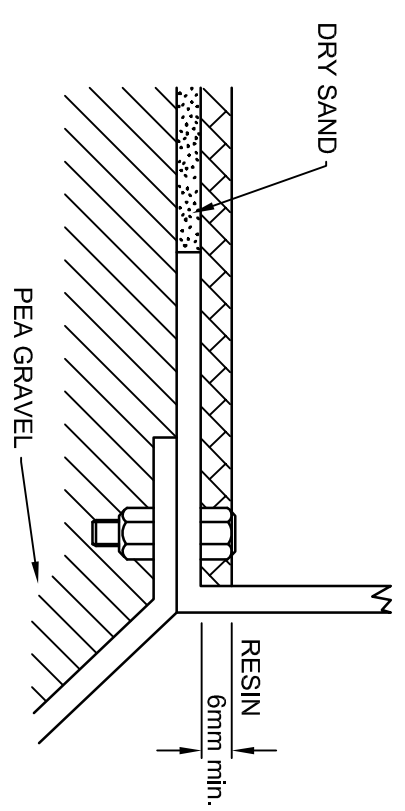
**TYPICAL HA 600 CABINET MODIFIED INTERNAL FRAME**

ORIGINAL DRAWING SIZE: 297 x 420  
ALL DIMENSIONS ARE IN MM  
TOLERANCE +- 1 UNLESS OTHERWISE STATED  
THIRD ANGLE PROJECTION DO NOT SCALE

ISSUE	AMENDMENTS	APPD/DATE
C	REDRAWN	BD 30/1/09
B	RE-ISSUED FOR INFORMATION	BD 19/01/03
A	FOR INFORMATION	BD 06/12/01

DRN	C.S.G.	CHKD	B.D.	SCALE
DATE	14.11.00	DATE	17.11.00	N.T.S.
DRG. NO.	NDX1002-01ga			SHT. NO.
				1 of 6



- NOTES**
- CABINETS ARE SUPPLIED COMPLETE WITH PDU RESPONDER/TRANSPONDER FRAME HEATERS AND THERMOSTAT.
  - CABINET SHALL BE MOUNTED ON ITS FOUNDATION BY BOLTING TO THE PLINTH 610.
  - AFTER THE CABLES HAVE BEEN INSTALLED THE FOUNDATION OF THE CABINET TO BE FILLED WITH 6mm PEA GRAVEL AND BLINDED WITH DRY SAND AS INDICATED IN DRAWING, A LAYER OF RESIN MINIMUM 6mm THICK SHALL BE LAID ON TOP OF SAND AND CABINET BASE. RESIN TO MEET THE REQUIREMENTS OF BRITISH TELECOM RESIN PACK 6A SPECIFICATION M222 OR EQUIVALENT.
  - THE MASS OF CABINET COMPLETE IS APPROXIMATE 61kg.
  - FURTHER EQUIPMENT WILL BE INSTALLED LATER, THEREFORE THE CONTRACTOR SHALL ENSURE THAT ALL CABLE ROUTES FOLLOW THE FRAME SO AS TO LEAVE THE BODY OF THE CABINET CLEAR.
  - ALL STANDARD MOUNTING BARS FOR KLIPPON TERMINALS REMOVED AND EQUIPMENT MOUNTING FRAME MODIFIED AS REQUIRED USING REDUNDANT MOUNTING BAR MATERIAL WHERE SUITABLE.
  - AFTER MODIFICATION ALL PAINTWORK TO BE MADE GOOD.