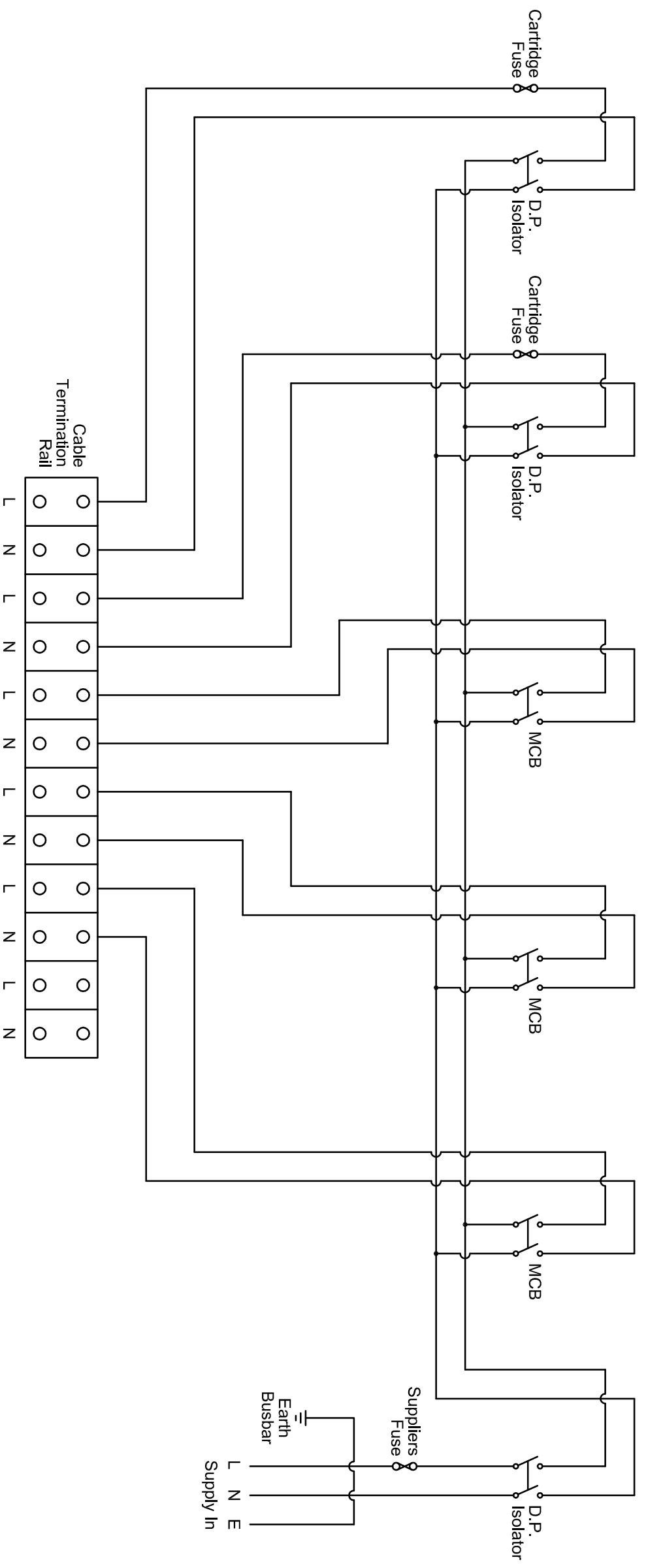


NOTE
 All equipment rating to be obtained from Order Package
 Configuration Sheet (OPCS)



Note:
 The NDX series of drawings represents non site specific installations of standard equipment and site layouts.

TITLE
 This drawing was generated on computer and must not be manually updated
TYPICAL CIRCUIT DIAGRAM OF TERMINATION PILLAR / TRAFFIC EQUIPMENT TERMINATION PILLAR (TP / TEDP)

ORIGINAL DRAWING SIZE: 297 x 420
 ALL DIMENSIONS ARE IN MM
 TOLERANCE +- 1 UNLESS OTHERWISE STATED
 THIRD ANGLE PROJECTION DO NOT SCALE

DRN	S.D.	CHKD	S.M.	APPD/DATE
DATE	29.02.08	DATE	29.02.08	SCALE
DRG. NO.	NDX1011-07cd			SHT. NO.
				4 of 4
A	REDRAWN			BD 13/10/09
1	FIRST ISSUE			SM 10/03/08
ISSUE AMENDMENTS				