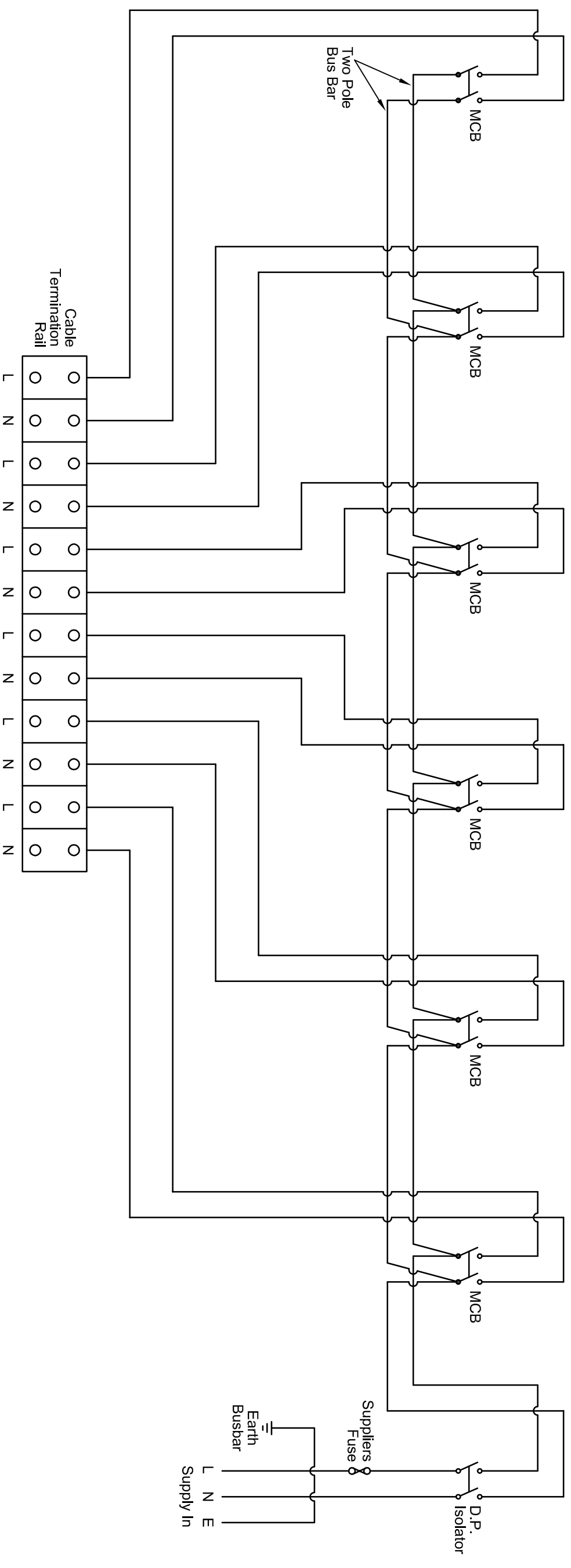


NOTE

All equipment rating to be obtained from Order Package Configuration Sheet (OPCS)



This drawing was generated on computer and must not be manually updated



Note:
The NDX series of drawings represents non site specific installations of standard equipment and site layouts.

TITLE
TYPICAL CIRCUIT DIAGRAM OF TRAFFIC EQUIPMENT TERMINATION PILLAR (TEDP)

ORIGINAL DRAWING SIZE: 297 x 420
ALL DIMENSIONS ARE IN MM
TOLERANCE +- 1 UNLESS OTHERWISE STATED
THIRD ANGLE PROJECTION DO NOT SCALE

ISSUE	AMENDMENTS	APPD/DATE
A	REDRAWN	BD 13/10/09
1	FIRST ISSUE	SM 10/03/08

DRN	S.D.	CHKD	S.M.	SCALE
DRG. NO.	NDX1011-08cd	DATE	29.02.08	N.T.S.
				SHT. NO.
				4 of 4