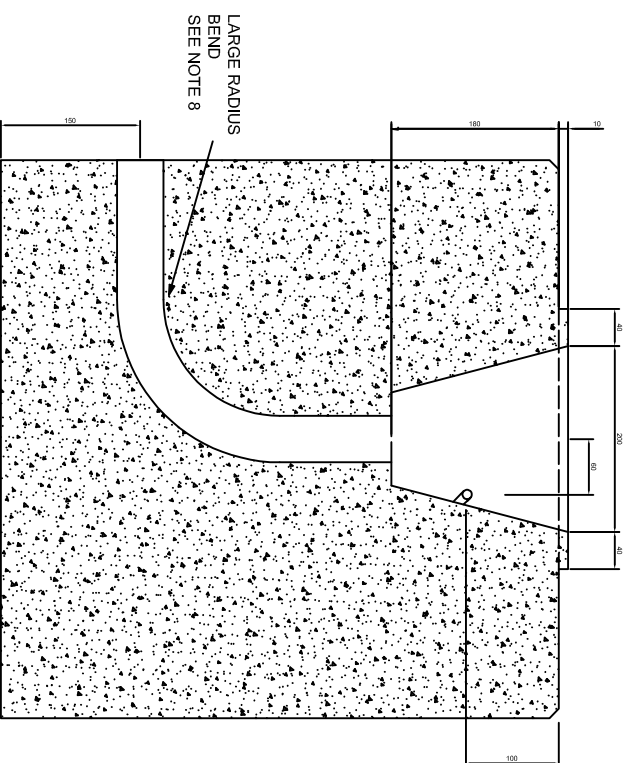
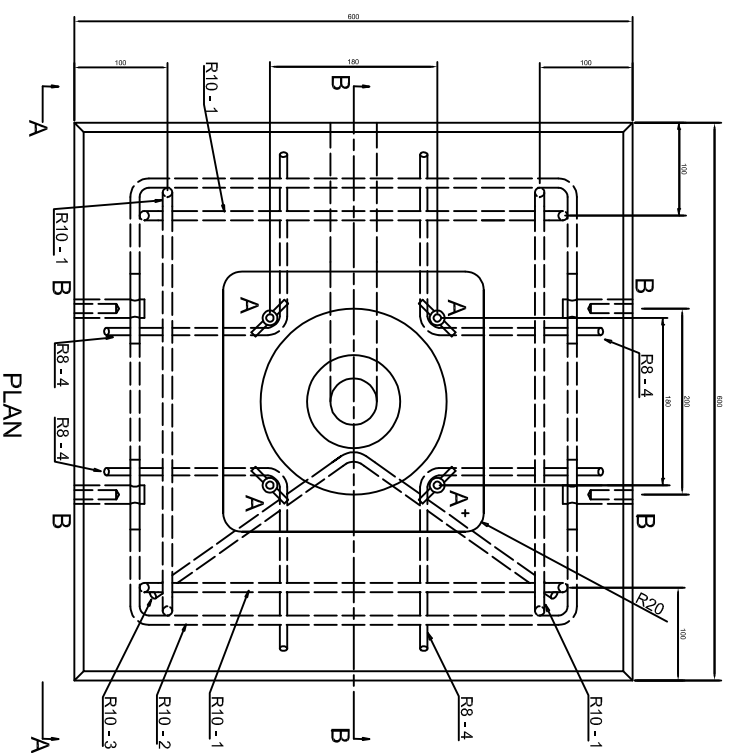


ELEVATION A - A



SECTION B - B

- NOTES
1. BASE CONCRETE TO BE GRADE C32 / 40 AIR ENTRAINED, COLOUR NATURAL, MAX. AGGREGATE SIZE 20mm, WATER/CEMENT RATIO = 0.45, MIN. CEMENT CONTENT 360 Kg/m³ MAX. CEMENT CONTENT 500kg/m³.
 2. INFILL CONCRETE AROUND BASE TO BE GRADE C8 / 10, CONCRETE DESIGNATION S12, COLOUR NATURAL, MAX. AGGREGATE SIZE 20mm, SLUMP CLASS 53 FROM TABLE 3. BS EN 206-1:2000.
 3. REINFORCEMENT TO BE ROUND MILD STEEL, GRADE 250 COMPLYING WITH BS 4449.
 4. SOCKETS A: 4 OFF - FIXING CENTRE LTD M10 x 16 x 65 TYPE SSR-CIS-P GRADE 304 STAINLESS STEEL CAST IN SOCKET WITH CROSSPIN OR EQUIVALENT. SOCKETS B: 4 OFF - FIXING CENTRE LTD M12 x 20 x 75 TYPE SSR-CIS-P GRADE 304 STAINLESS STEEL CAST IN SOCKET WITH CROSSPIN OR EQUIVALENT.
 5. SOCKETS TO HAVE PLASTIC CAPS FITTED.
 6. SURFACE FINISH GENERALLY TO BS8110:PART1:1985 TYPE B.
 7. CAST IN Ø110 LONG RADIUS BEND OSMADRAIN 4D581 OR EQUIVALENT.
 8. DRAW ANGLE 5°.
 9. 25mm CHAMFER TO EXPOSED CORNERS OF BASE.



PLAN

REINFORCEMENT BENDING SCHEDULE TO BS 8666 - 2000

BAR MKS	TYPE AND SIZE	NO OF SETS	NO PER SET	TOTAL NO	CUT LENGTH	SHAPE CODE	A	B	C	D
1	R10	1	4	4	1300	21	430	460		
2	R10	1	3	3	1950	51	480	480	90	90
3	R10	1	1	1	600	11	300			
4	R8	1	4	4	475	11	250			

REINFORCEMENT REQUIREMENTS PER BASE

This drawing was generated on computer and must not be manually updated

TYPICAL ERT 354 600 CUBE CONCRETE PLINTH



Note:
The NDX series of drawings represents non site specific installations of standard equipment and site layouts.

TITLE		ORIGINAL DRAWING SIZE: 297 x 420	
DRG. NO. NDX1049-02dt		TOLERANCE +- 1 UNLESS OTHERWISE STATED	
THIRD ANGLE PROJECTION		DO NOT SCALE	
C	UPDATED SEE REV. SHIT.	BD 30/1/09	SCALE
B	REDRAWN	BD 13/10/09	N.T.S.
A	INITIAL ISSUE	-	
ISSUE		AMENDMENTS	APPD/DATE
DRN	D.B.	CHKD	C.L.
DATE	--	DATE	--
SHT. NO. 15 of 18		SCALE	