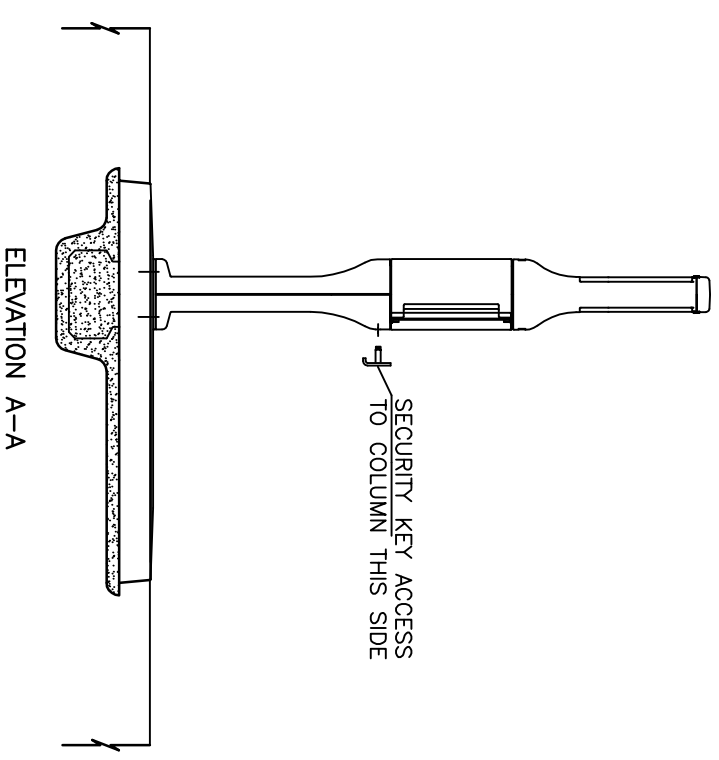
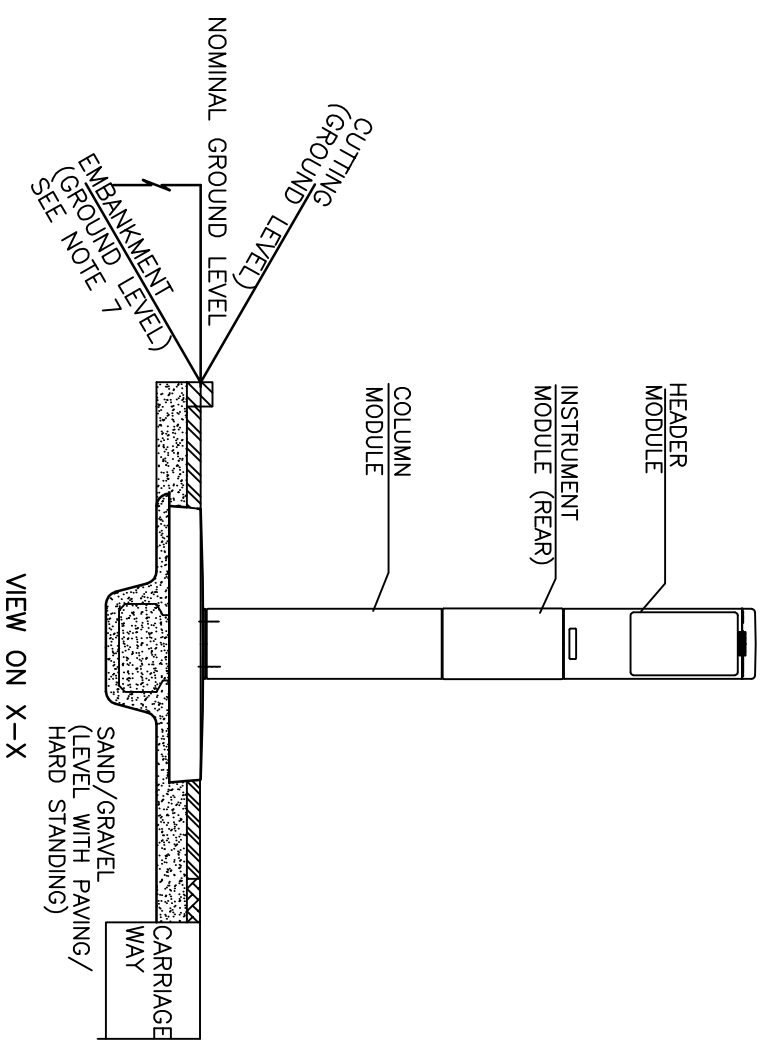
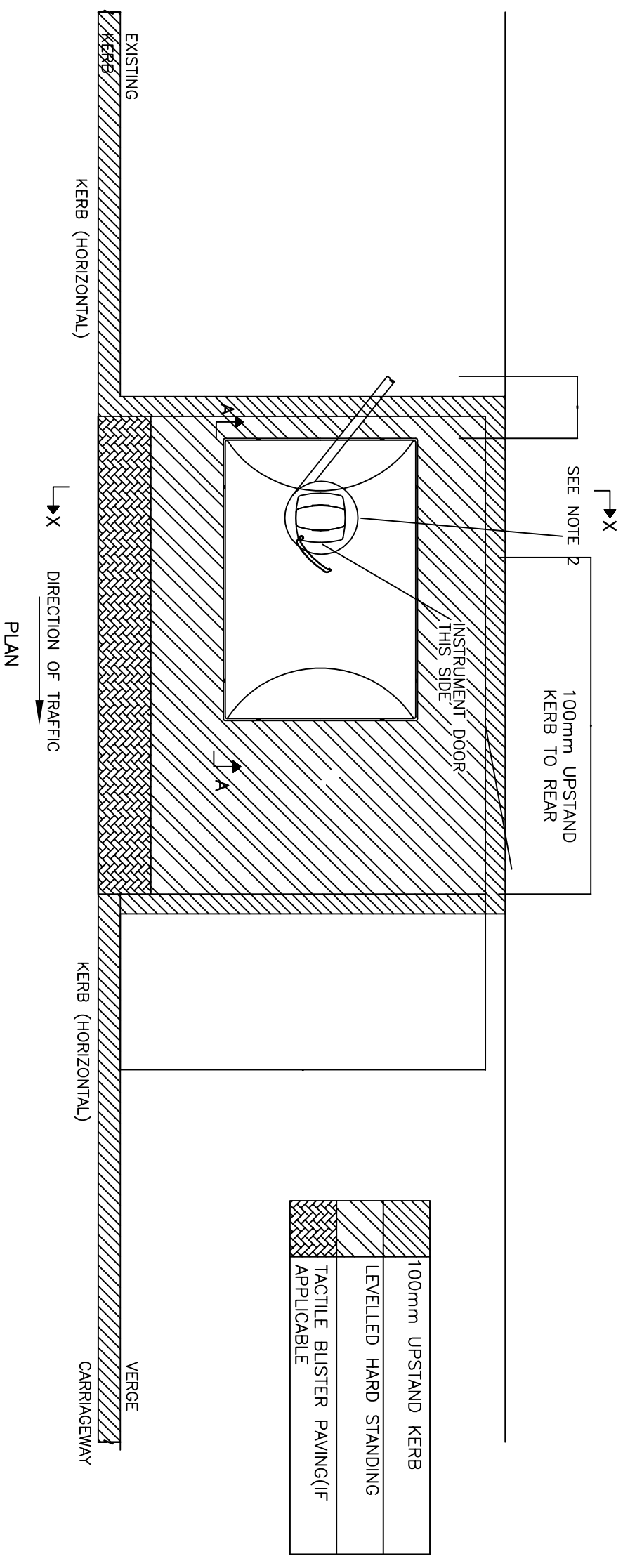


NOTES

1. SEE GENERAL INSTALLATION NOTES ON DRAWING NDX1049-02no\_01
2. SEE NOTE 3 ON DRAWING NDX1049-02ga\_02
3. DROPPED KERB WITH TACTILE BLISTER PAVING (TONAL CONTRAST EXCLUDING RED)
4. WHEN INSTALLED ON AN EMBANKMENT, A HANDRAIL MAY BE REQUIRED (SEE NDX 1049-02at\_13). ADVICE AS TO WHETHER HANDRAIL IS REQUIRED SHALL BE SOUGHT FROM THE OVERSEEING ORGANISATION.
5. DUCT TO EXTEND MINIMUM OF 200mm BEYOND EDGE OF PLINTH (FOR SITES WITHOUT EXISTING DUCTS).
6. ENSURING ADEQUATE DRAINAGE FACILITIES AVAILABLE TO AVOID PONDING.



This drawing was generated on computer and must not be manually updated



Note:  
The NDX series of drawings represents non site specific installations of standard equipment and site layouts.

TITLE  
**TYPICAL ERT 354 VERGE, NO SAFETY FENCE, WITH KERB - TYPE B1, O1**

ORIGINAL DRAWING SIZE: 297 x 420		DRN	A.N.O.	CHKD	A.W.	APPD/DATE
ALL DIMENSIONS ARE IN MM		DATE	--	DATE	--	SCALE
TOLERANCE +- 1 UNLESS OTHERWISE STATED		DRG. NO.	NDX1049-02ga		SHT. NO.	
THIRD ANGLE PROJECTION DO NOT SCALE						4 of 18
C	UPDATED SEE REV. SHT.					BD 30/1/09
B	REDRAWN					BD 13/10/09
A	INITIAL ISSUE					-