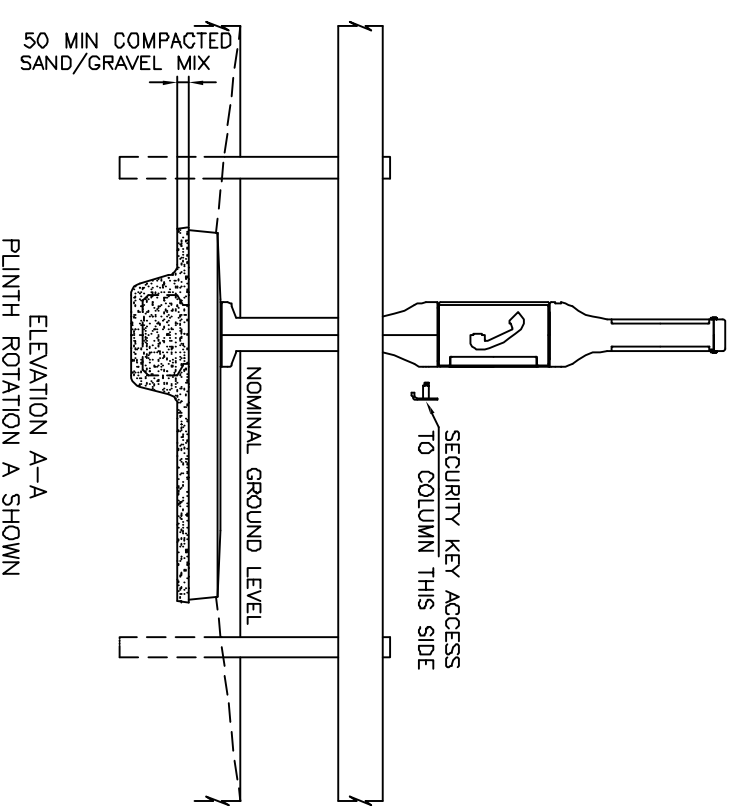
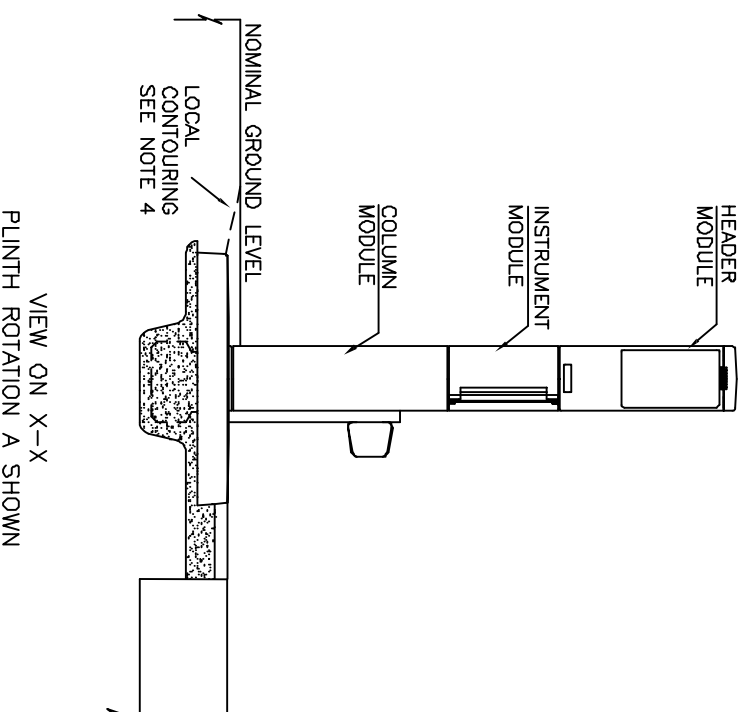
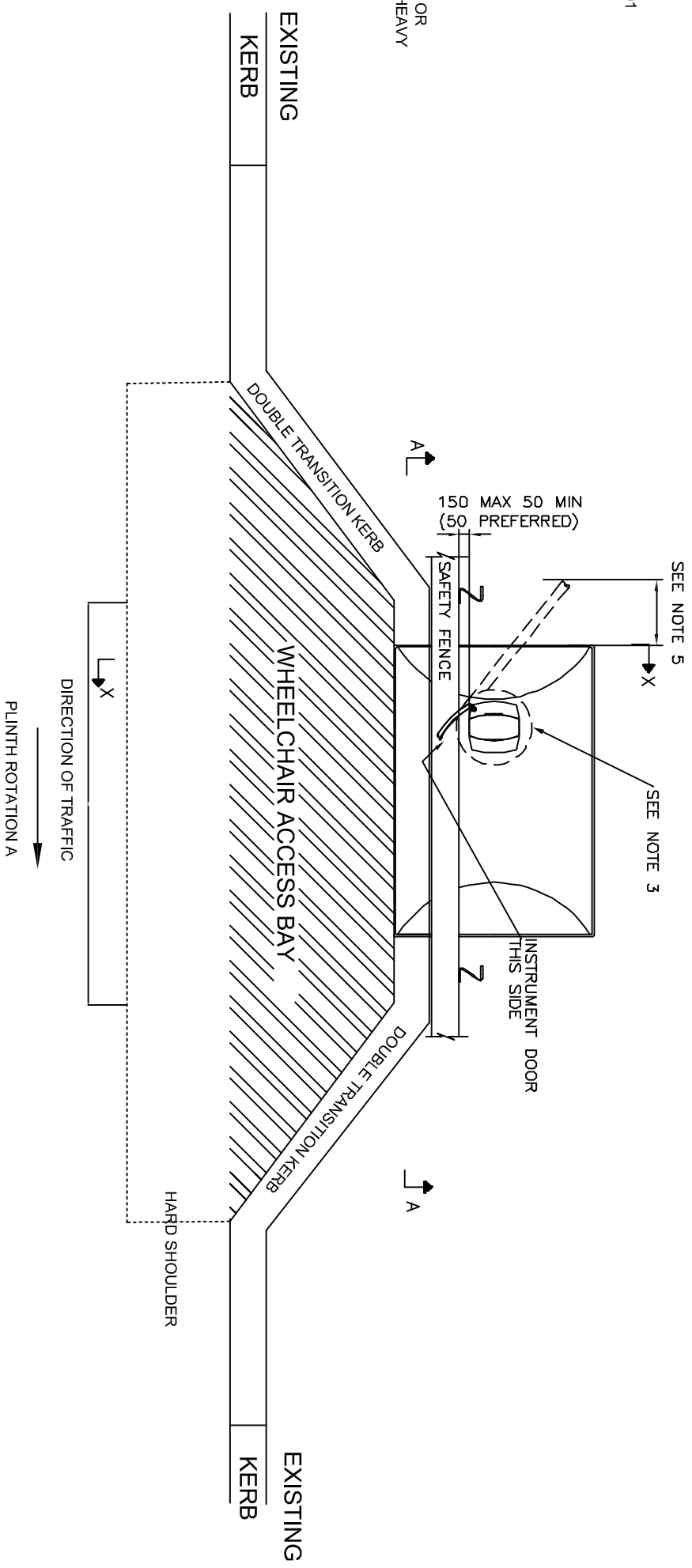


NOTES

1. SEE GENERAL INSTALLATION NOTES ON DRAWING NDX1049-02no\_01
2. SEE NOTE 3 ON DRAWING NDX1049-02ga\_02
3. LOCAL CONTOURING TO BE PROFILED DOWNWARDS TO A LEVEL 12mm BELOW THE EDGES OF CONCRETE PLINTH.
4. DUCT TO EXTEND MINIMUM OF 200mm BEYOND EDGE OF PLINTH (FOR SITES WITHOUT EXISTING DUCTS).
5. 50mm PAVING OR EQUIVALENT HARDENED SURFACE (ON 75mm MINIMUM SAND/GRAVEL MIX AND THEN COMPACTED). A CONCRETE OR ASPHALT SURFACE SHALL BE LAID AT LAY-BY SITES WITH RISK OF HEAVY VEHICLE OVERRUN.



Note:  
The NDX series of drawings represents non site specific installations of standard equipment and site layouts.



This drawing was generated on computer and must not be manually updated

TYPICAL ERT 354 VERGE WITH SAFETY FENCE AND WHEELCHAIR ACCESS BAY - TYPE D1, Q1

ORIGINAL DRAWING SIZE: 297 x 420	DRN	A.N.O.	CHKD	A.W.	APPD/DATE
ALL DIMENSIONS ARE IN MM	DATE	---	DATE	---	SCALE
TOLERANCE +/- 1 UNLESS OTHERWISE STATED	DRG. NO.	NDX1049-02ga			SHT. NO.
THIRD ANGLE PROJECTION DO NOT SCALE					7 of 18
	C	UPDATED SEE REV. SHT.			BD 30/1/09
	B	REDRAWN			BD 13/10/09
	A	INITIAL ISSUE			-
	ISSUE		AMENDMENTS		