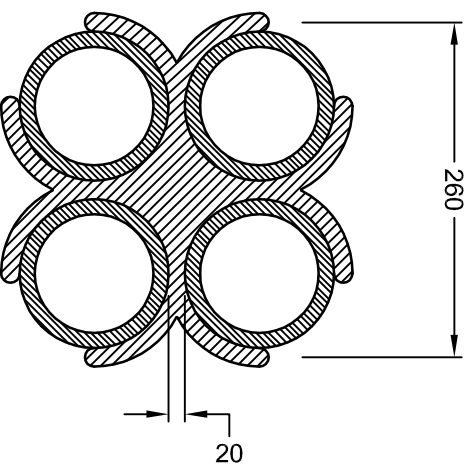
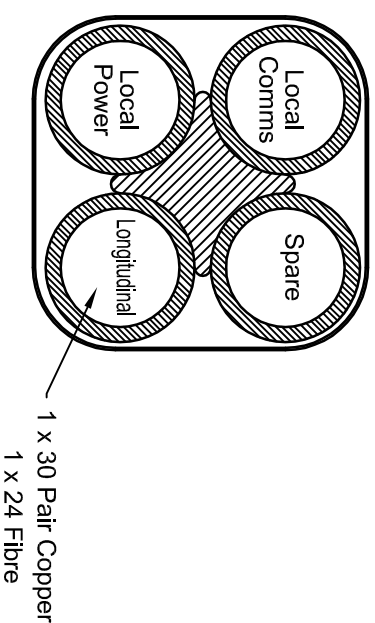


SECTION THROUGH  
LONGITUDINAL  
DUCT ARRANGEMENT

ELEVATION ON LONGITUDINAL  
DUCT ARRANGEMENT



ALTERNATE  
SPACER / CLIP  
ARRANGEMENT  
(see note 5)



SECTION THROUGH  
LONGITUDINAL  
DUCT ARRANGEMENT  
(see note 7)

**NOTES**

1. Duct materials, spacers and strapping are specified in SHW Clause 1530.
2. Jointing collars shall be supplied by the contractor. They shall axially align and firmly hold consecutive lengths of duct. They shall be designed, made and installed to ensure that a water and air tight seal is achieved between adjacent duct lengths, the efficacy of the seal shall be tested in accordance with SHW Clause 1533. Cold shrink seals may be used to supplement the sealing performance of the jointing collar. Cold shrink seals shall not be used on their own.
3. Ducts shall be separated by means of a purpose made spacer. The spacer shall ensure that there is sufficient room for jointing collars - nominally 20mm separation. Spacers are provided to ensure that the separation between ducts remains constant along the length of ducts during installation, backfilling and in service. Spacers shall not cause damage to the ducts either during installation or in service.
4. The strapping is to be purpose made and spaced at intervals to ensure that the duct and spacer arrangement shown in the sectional detail is not disturbed during installation, backfilling and in service. The strapping would typically be installed at 1M intervals.
5. A purpose made, combined, spacer / clip arrangement may be used as an alternative to separate spacer and strapping, provided that the Contractor can demonstrate that the spacer / clip is capable of retaining ducts in place during installation and service.
6. Minimum bending radii of the cables shall be adhered to. (12 x diameter)
7. Cables shall only be installed into the duct allocated. The orientation of the ducts shall be maintained throughout.

This drawing was generated on computer and must not be manually updated

TYPICAL DUCT INSTALLATION - SPACERS, STRAPPING AND  
LONGITUDINAL DUCT CABLE ALLOCATION



Note:  
The NDX series of drawings represents non site specific installations of standard equipment and site layouts.

ORIGINAL DRAWING SIZE: 297 x 420	DRN C.S.G.	CHKD B.D.	SCALE
ALL DIMENSIONS ARE IN MM	DATE 25.09.01	DATE 29.09.01	N.T.S.
TOLERANCE +- 1 UNLESS OTHERWISE STATED	DRG. NO. NDX1063-00dt		SHT. NO. 6 of 10
THIRD ANGLE PROJECTION DO NOT SCALE			
	<b>ISSUE</b>	<b>AMENDMENTS</b>	<b>APPD/DATE</b>
	B REDRAWN		BD 13/10/09
	A FOR INFORMATION		BD 09/02/03
	C UPDATED SEE REV. SHT.		BD 30/1/09