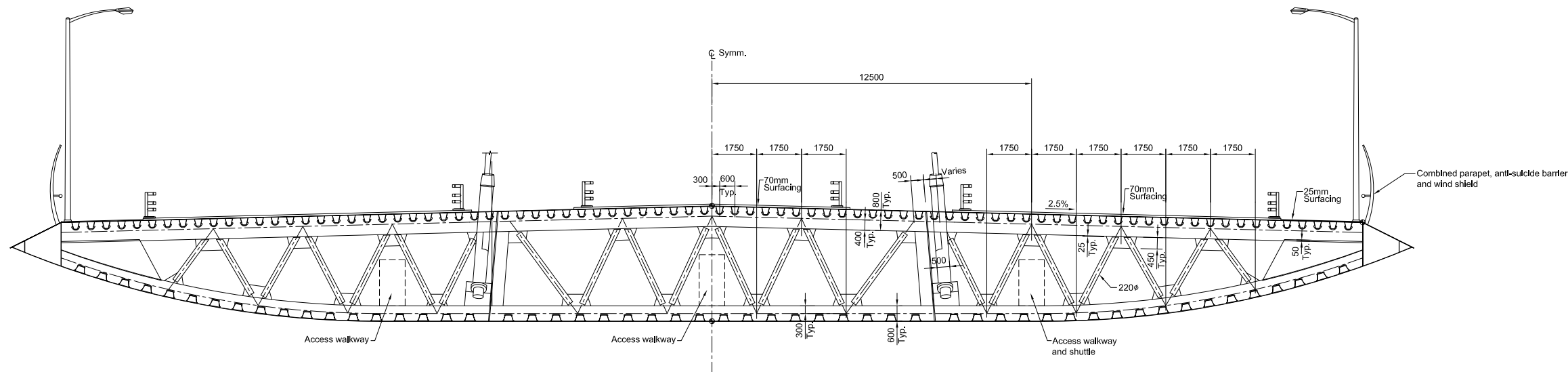
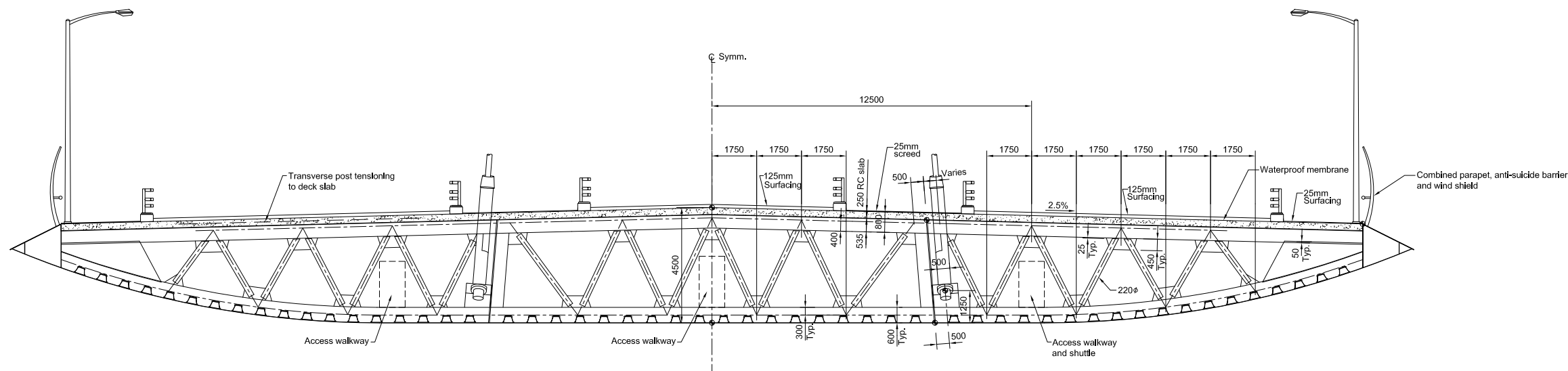


DECK SETTING OUT
 SCALE 1 : 100



TYPICAL ORTHOTROPIC DECK SECTION
 SCALE 1 : 100



TYPICAL COMPOSITE DECK SECTION
 SCALE 1 : 100

NOTES

1. Some deck setting out dimensions may vary to ensure visual continuity, dependent on approach span option chosen.

Rev	Rev. Date	Purpose of revision	Drawn	Checked	Reviewed	Approved
0						

Client



An agency of The Scottish Government

JACOBS ARUP

Project
FORTH REPLACEMENT CROSSING

Drawing title
CABLE STAYED BRIDGE THREE CORRIDOR OPTION DECK CROSS SECTIONS

Drawing status
PRELIMINARY

Scale
 1:100@ A1 DO NOT SCALE

Client no.
 RD 001675

Drawing number
FRC/C/076/S/101 Rev
0

This drawing is not to be used in whole or part other than for the intended purpose and project as defined on this drawing. Refer to the contract for full terms and conditions.