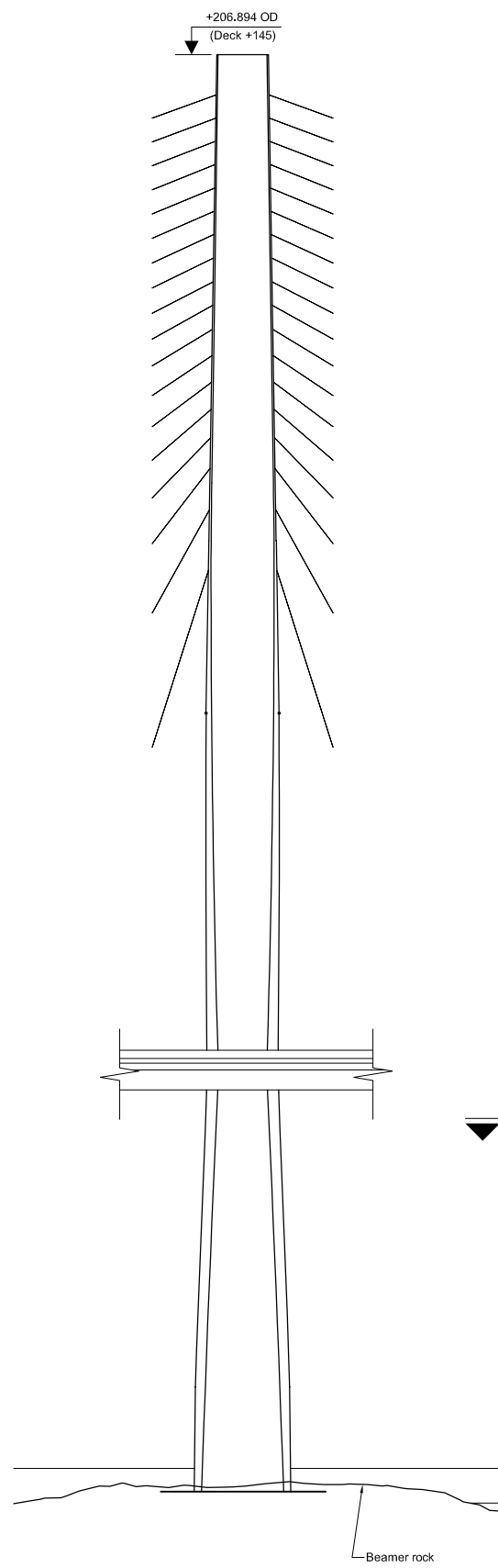
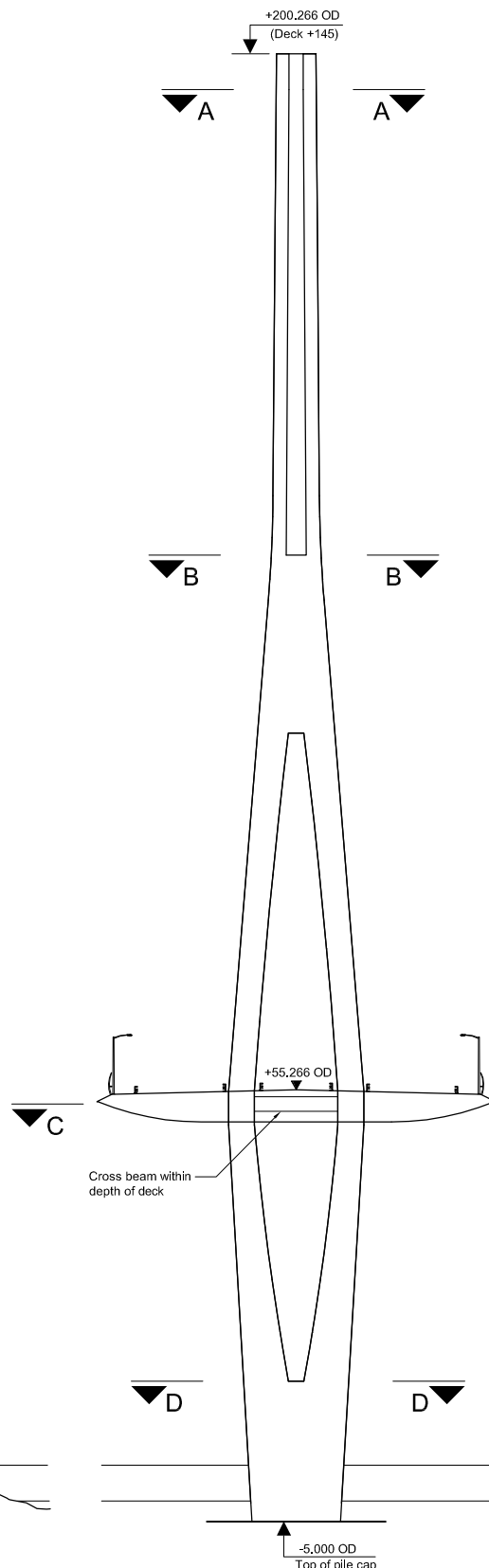


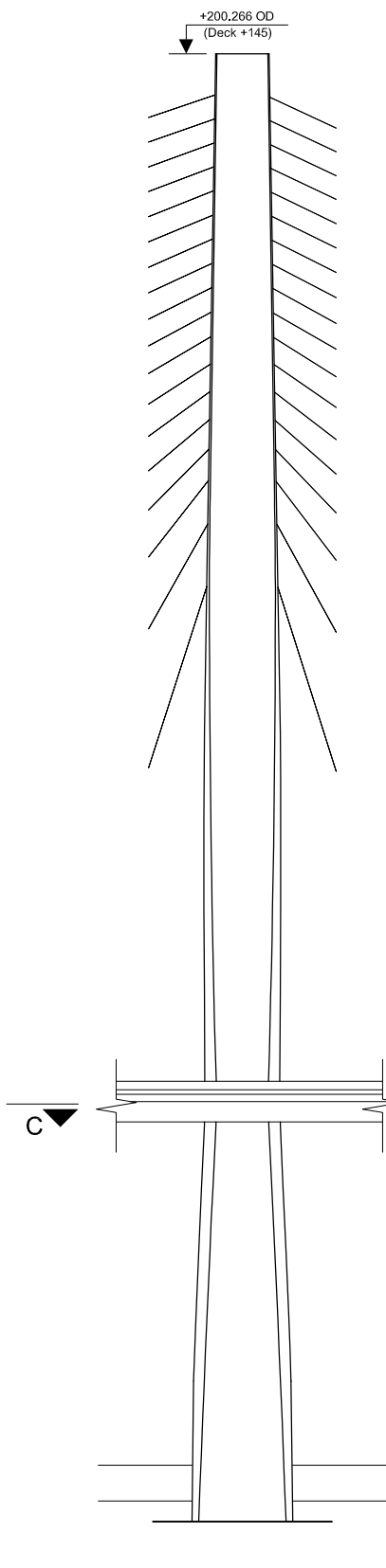
CENTRAL TOWER (CT)
 (FRONT VIEW)
 SCALE 1 : 500



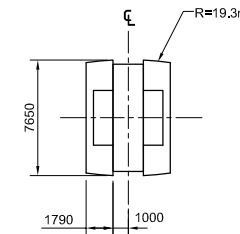
CENTRAL TOWER (CT)
 (SIDE VIEW)
 SCALE 1 : 500



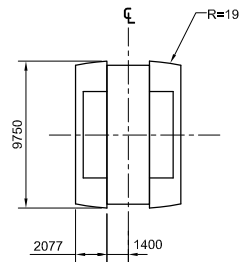
FLANKING TOWERS (NT/ST)
 (FRONT VIEW)
 SCALE 1 : 500



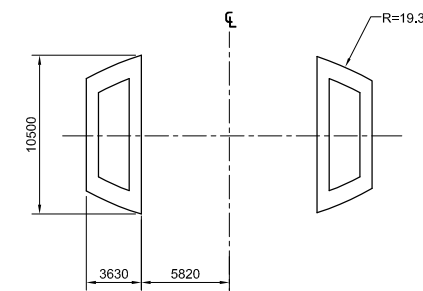
FLANKING TOWERS (NT/ST)
 (SIDE VIEW)
 SCALE 1 : 500



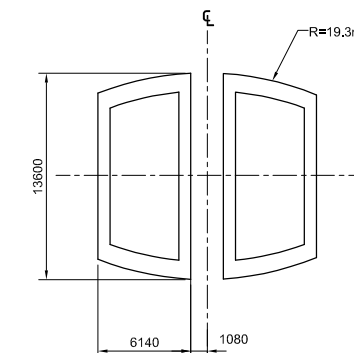
SECTION A-A
 SCALE 1 : 250



SECTION B-B
 SCALE 1 : 250



SECTION C-C
 SCALE 1 : 250



SECTION D-D
 SCALE 1 : 250

- Notes**
1. Tower arrangement shown for 650m main span.
 2. For details of tower foundation, see drawing FRC/C/076/S/401.

Created by: JACOBS File: J11251001ARUP\CIVIL\FRC-C-076-S-202.dwg Date: Jun 25, 2008 - 1:33pm Plotted by: Sunny Jeung

Rev	Rev. Date	Purpose of revision	Drawn	Checked	Reviewed	Approved
0						



JACOBS ARUP

Project
FORTH REPLACEMENT CROSSING

Drawing title
CABLE STAYED BRIDGE NEEDLE TOWER GENERAL ARRANGEMENT CROSS SECTION N2

Drawing status
PRELIMINARY

Scale
 AS SHOWN DO NOT SCALE

Client no.
 RD 001675

Drawing number
FRC/C/076/S/202

Rev
0

This drawing is not to be used in whole or part other than for the intended purpose and project as defined on this drawing. Refer to the contract for full terms and conditions.