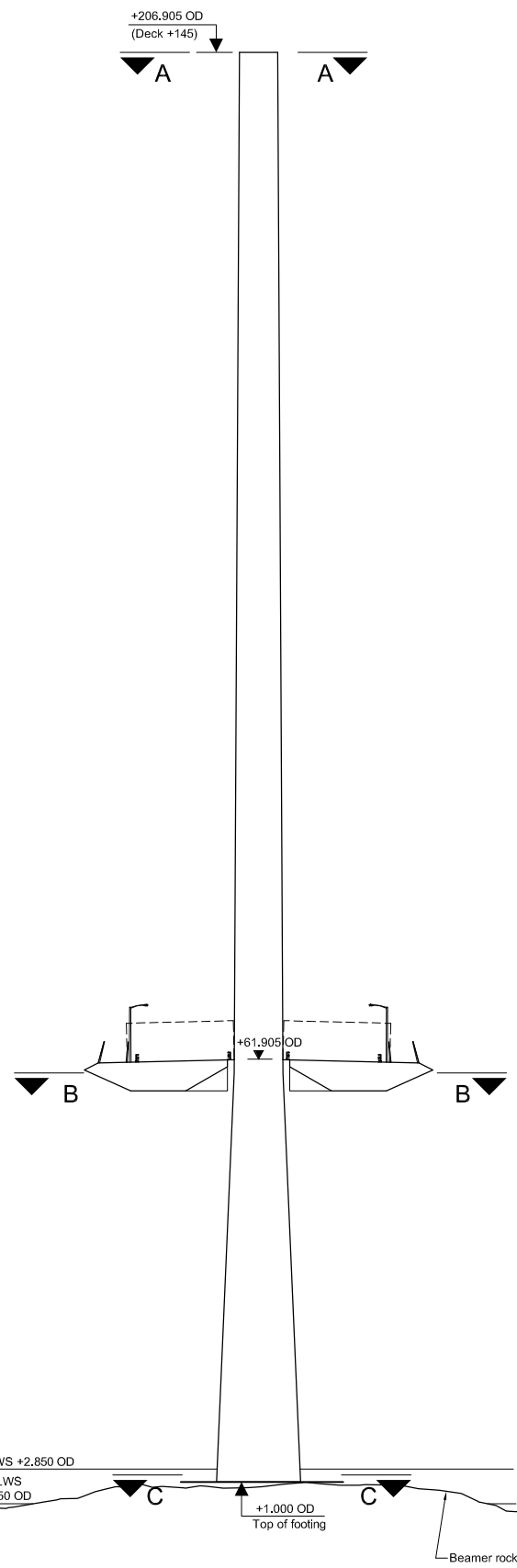
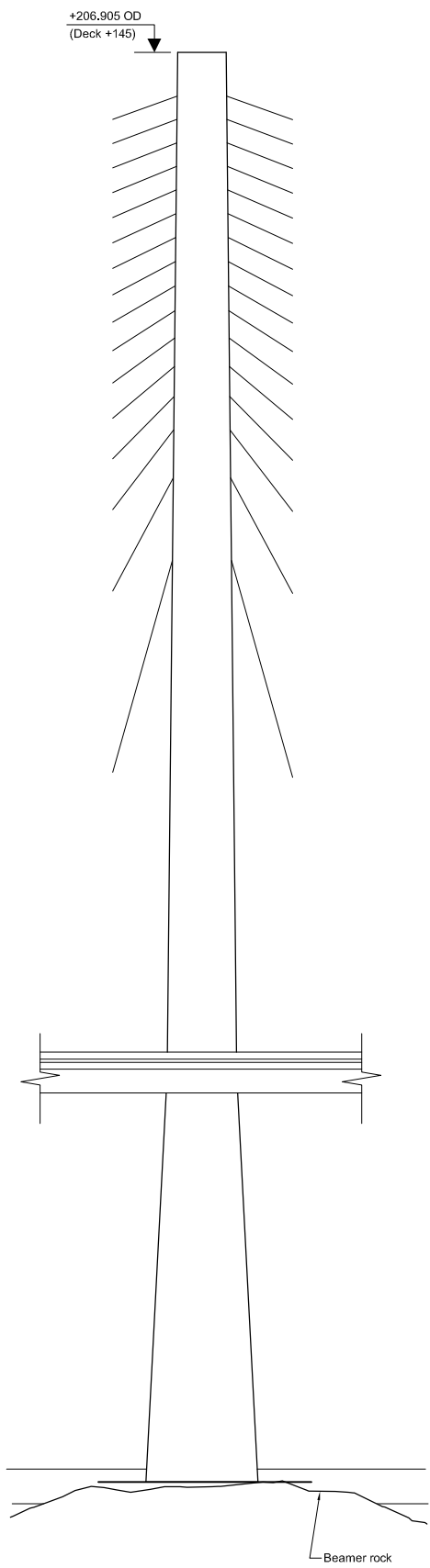


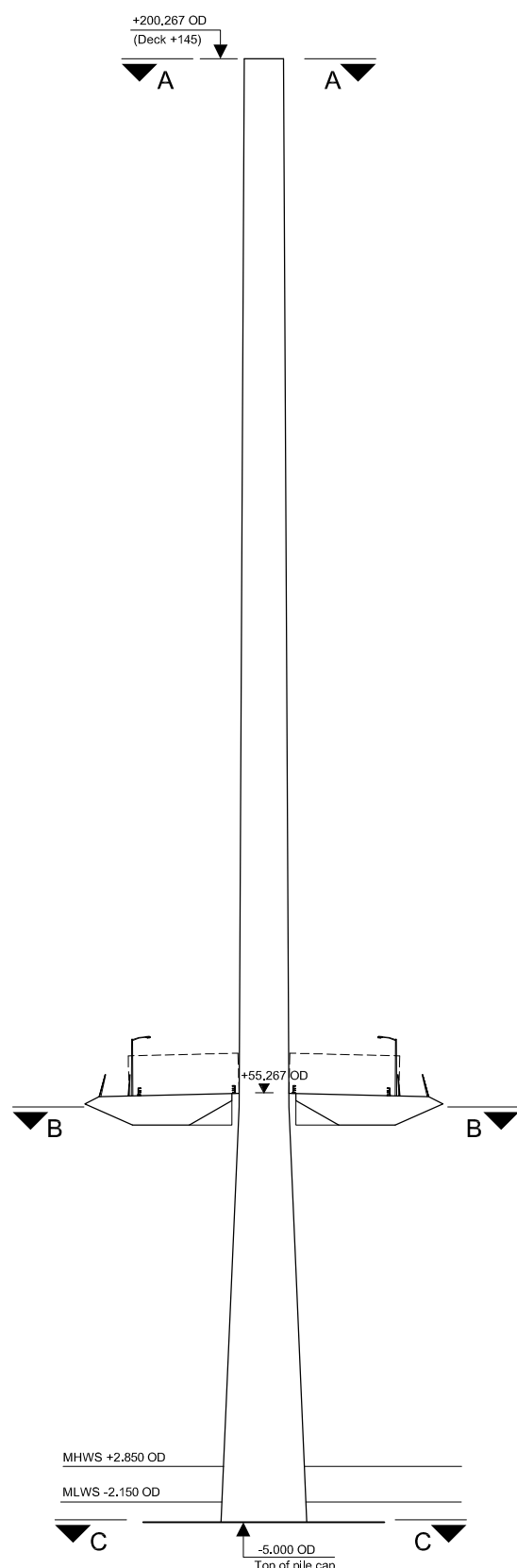
Notes
 1. For details of tower foundation, see drawing FRC/C/076/D2M/401.



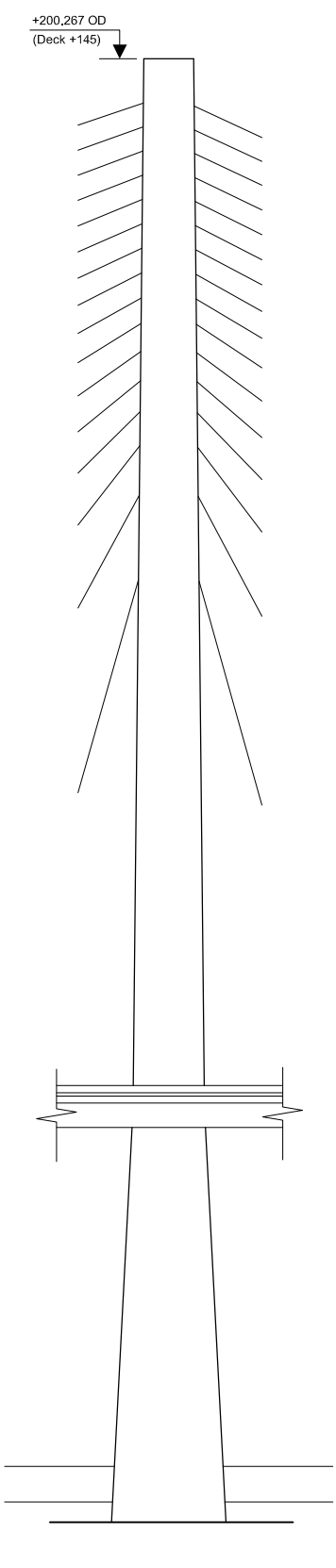
CENTRAL TOWER (CT)
 (FRONT VIEW)
 SCALE 1 : 500



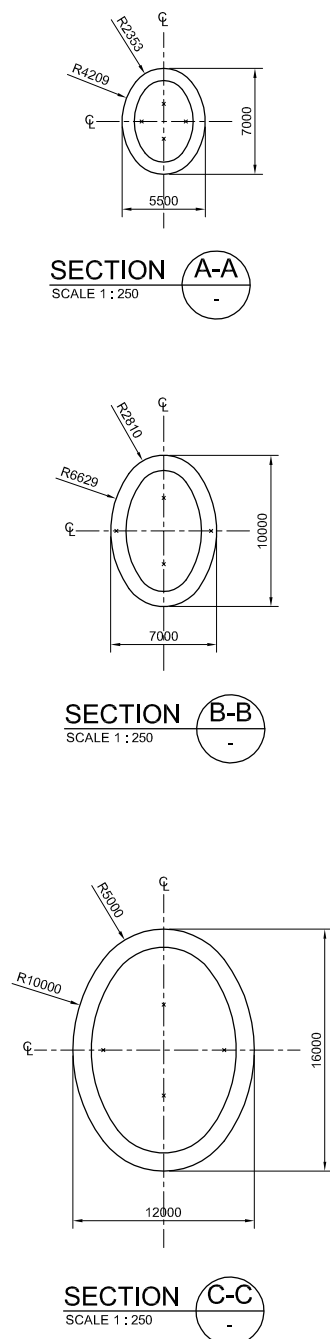
CENTRAL TOWER (CT)
 (SIDE VIEW)
 SCALE 1 : 500



FLANKING TOWERS (NT/ST)
 (FRONT VIEW)
 SCALE 1 : 500



FLANKING TOWERS (NT/ST)
 (SIDE VIEW)
 SCALE 1 : 500



Created by: JACOBS File: J:\125100\ARUP\CIVIL\FRC-C-076-D2M-202.dwg Date: Nov 05, 2008 - 5:42pm Plotted by: sunny.leung

Rev	Rev. Date	Purpose of revision	Drawn	Checked	Reviewed	Approved
0						



JACOBS ARUP

Project
FORTH REPLACEMENT CROSSING

Drawing title
**CABLE STAYED BRIDGE
 D2M OPTION
 MONO-TOWER (M2)
 GENERAL ARRANGEMENT**

Drawing status
PRELIMINARY

Scale AS SHOWN @ A1 DO NOT SCALE

Client no. RD 001675

Drawing number **FRC/C/076/D2M/202** Rev **0**

This drawing is not to be used in whole or part other than for the intended purpose and project as defined on this drawing. Refer to the contract for full terms and conditions.