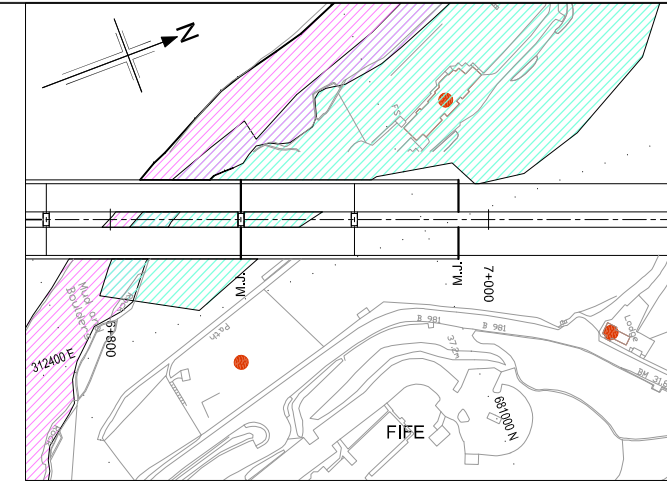


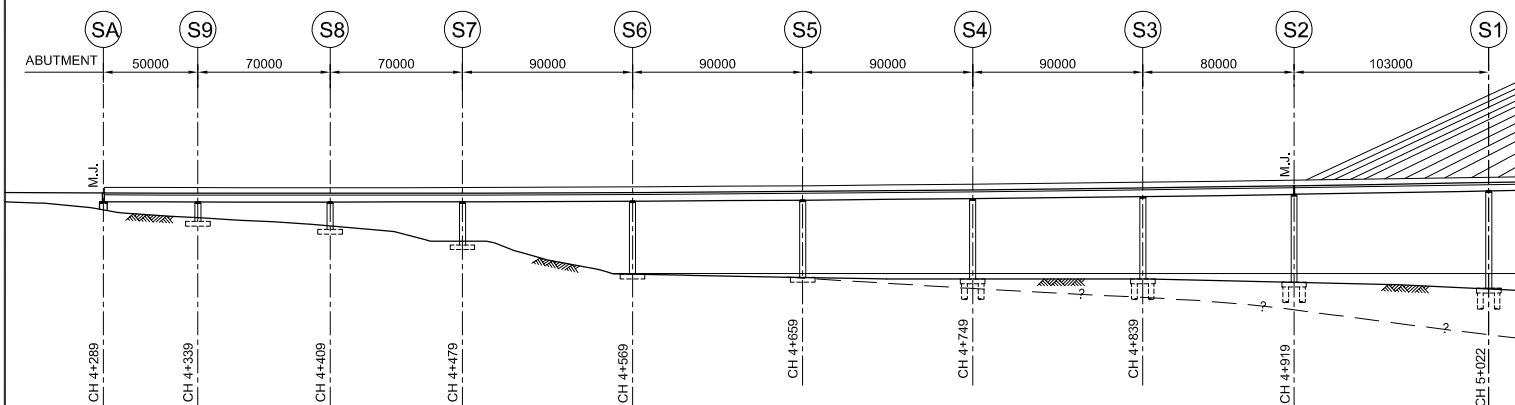
This map is based on Ordnance Survey material with the permission of Ordnance Survey on behalf of the Controller of Her Majesty's Stationery Office © Crown copyright. Unauthorised reproduction infringes Crown copyright and may lead to prosecution or civil proceedings. Scottish Government 100020540 Year of publication.  
 File: J:\1250001\25101-00\HLG Project Data\11 Drawings\ID2M\FRC-C-076-D2M-321.dwg Date: Nov 07, 2008 - 7:53am Plotted by: len.griffin  
 Created by: ARUP



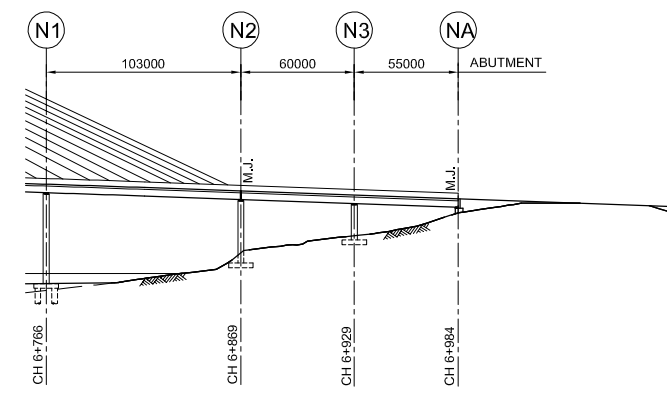
**SOUTH APPROACH PLAN  
SHOWING SINGLE CORRIDOR OPTION**  
SCALE 1:2000



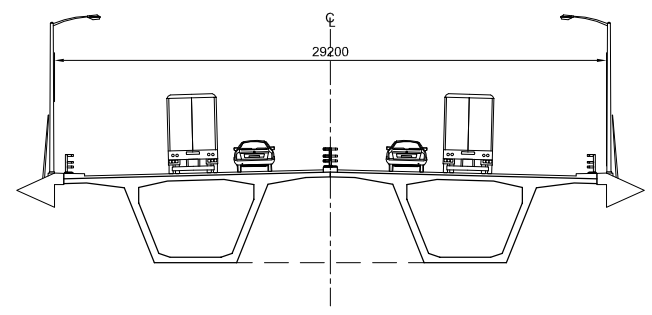
**NORTH APPROACH PLAN  
SHOWING TWO CORRIDOR OPTION**  
SCALE 1:2000



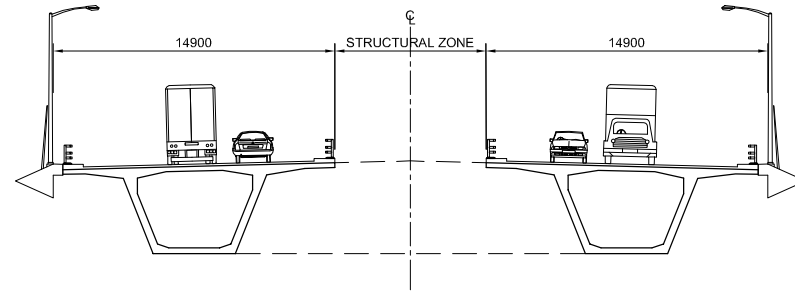
**SOUTH APPROACH ELEVATION**  
SCALE 1:2000



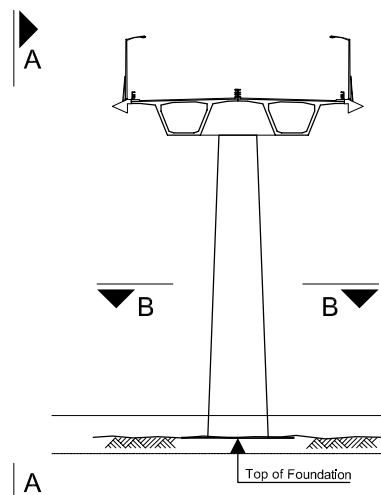
**NORTH APPROACH ELEVATION**  
SCALE 1:2000



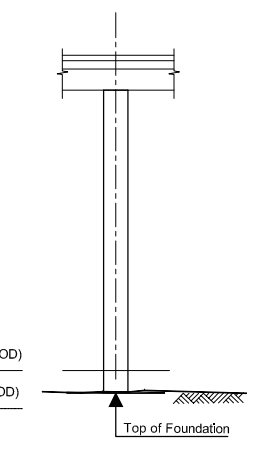
**SINGLE CORRIDOR OPTION**  
SCALE 1:200



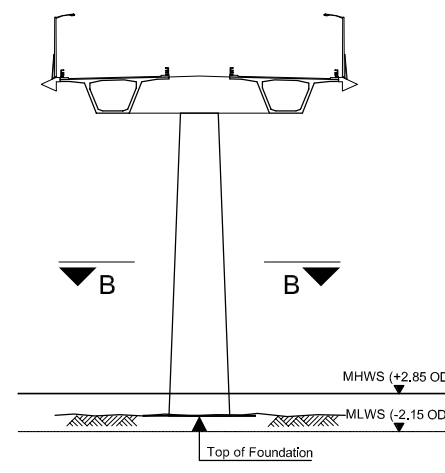
**TWO CORRIDOR OPTION**  
SCALE 1:200



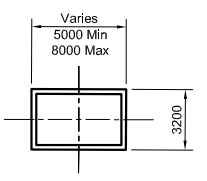
**PIER ELEVATION FOR SINGLE  
CORRIDOR OPTION**  
SCALE 1:500



**ELEVATION A-A**  
SCALE 1:500



**PIER ELEVATION FOR TWO  
CORRIDOR OPTION**  
SCALE 1:500



**SECTION B-B**  
SCALE 1:200

- NOTES**
- ONLY ENVIRONMENTALLY SENSITIVE AREAS WHICH ARE DIRECTLY BELOW THE ALIGNMENT ARE SHOWN ON THIS PLAN.
  - SOUTH APPROACH SHOWS SINGLE CORRIDOR OPTION. NORTH APPROACH SHOWS TWO CORRIDOR OPTION. ADOPTED CORRIDOR SOLUTION WILL APPLY TO BOTH APPROACH VIADUCTS.
- LEGEND**
- SITE OF IMPORTANCE FOR NATURE CONSERVATION IN EDINBURGH
  - SPECIAL PROTECTION AREAS (SCOTLAND) AND SITES OF SPECIAL SCIENTIFIC INTEREST (SCOTLAND)
  - SEM-NATURAL WOODLAND INVENTORY
  - LISTED BUILDINGS (SCOTLAND)
  - M.J. MOVEMENT JOINT

0	Rev	Rev. Date	Purpose of revision	LG	KM	SK	NH
				Drawn	Checked	Reviewed	Approved



**JACOBS ARUP**

Project: **FORTH REPLACEMENT CROSSING**

Drawing title: **APPROACH SPANS D2M OPTION CONCRETE BOX GIRDER DECK GENERAL ARRANGEMENT**

Drawing status: **PRELIMINARY**

Scale: AS SHOWN @ A1 DO NOT SCALE  
Client no. RD 001675

Drawing number: **FRC/C/076/D2M/321** Rev: **0**

This drawing is not to be used in whole or part other than for the intended purpose and project as defined on this drawing. Refer to the contract for full terms and conditions.