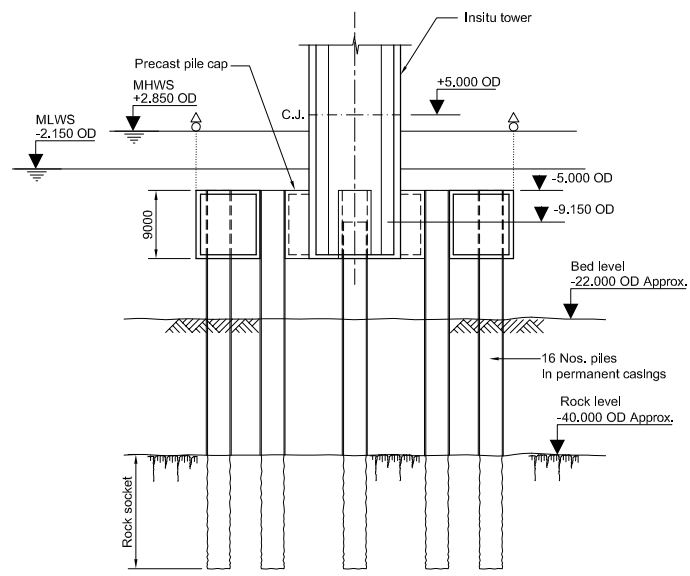
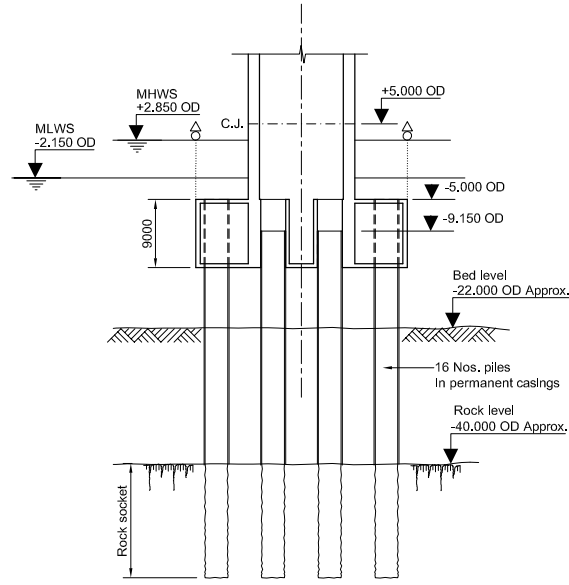


This map is based on Ordnance Survey material with the permission of Ordnance Survey on behalf of the Controller of Her Majesty's Stationery Office. © Crown copyright. Unauthorised reproduction infringes Crown copyright and may lead to prosecution or civil proceedings. Scottish Government 100020540 (Year of publication).  
 Created by: J:\125100\ARUP\CIVIL\FRC-C-076-D2M-401.dwg Date: Nov 05, 2008 - 5:43pm Plotted by: sunny.leung

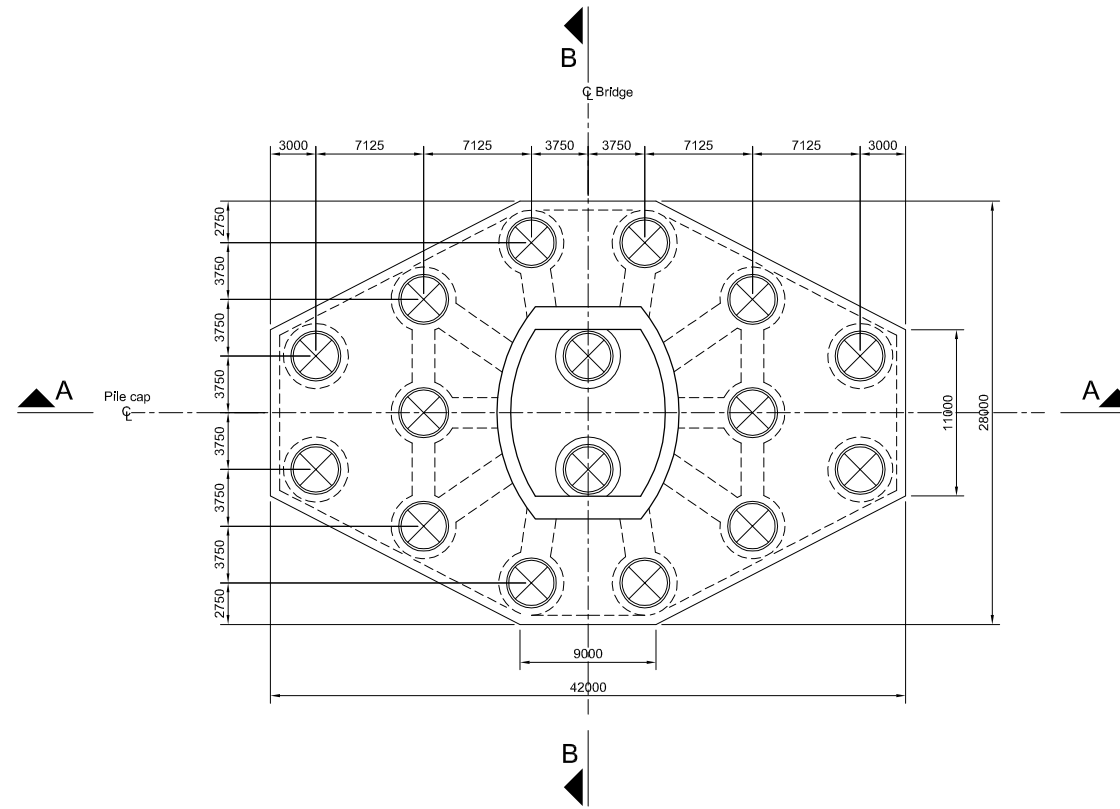


**SECTION A-A**  
 SCALE 1 : 500

(South Tower shown, and North Tower similar but bed level and rock level shallower)

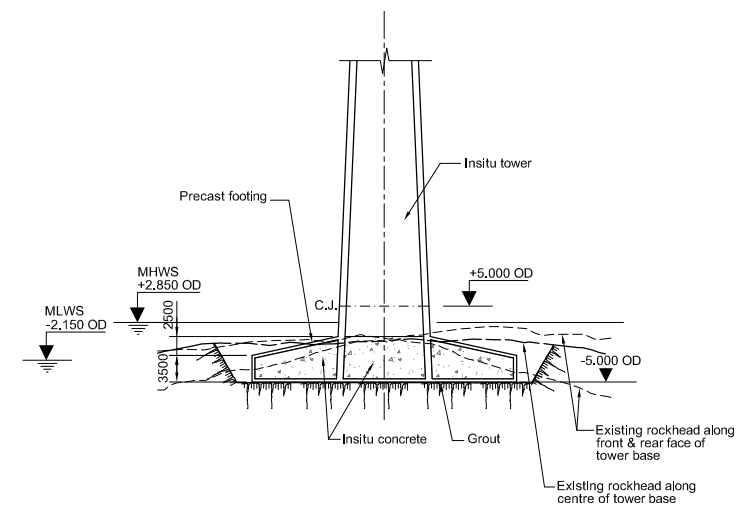


**SECTION B-B**  
 SCALE 1 : 500

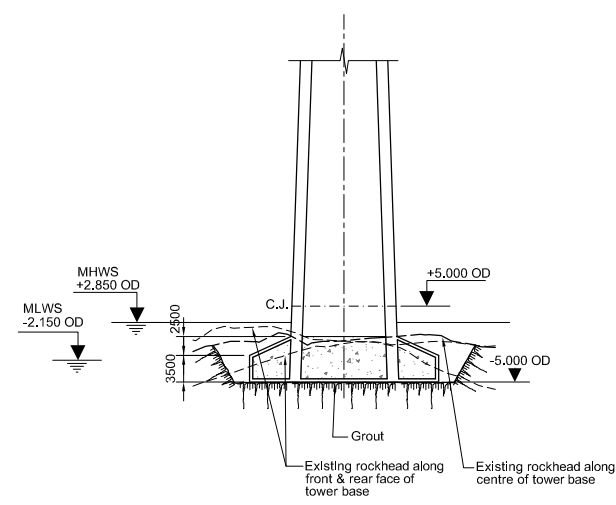


**PILE CAP PLAN OF FLANKING TOWERS**

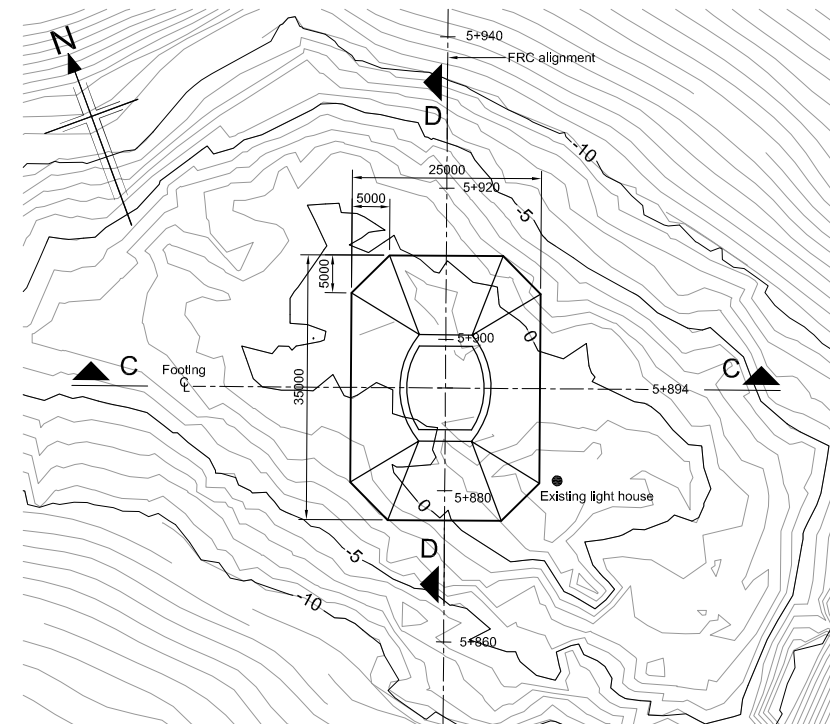
SCALE 1 : 250



**SECTION C-C**  
 SCALE 1 : 500



**SECTION D-D**  
 SCALE 1 : 500



**FOOTING PLAN OF CENTRAL TOWER (CT)**

SCALE 1 : 500

**Notes**

1. Pile diameter varies from 3000mm to 3400mm depending on option.
2. Geological stratum levels shown are tentative only.

**Legend**



Rev	Rev. Date	Purpose of revision	Drawn	Checked	Reviewed	Approved
0						



**JACOBS ARUP**

**FORTH REPLACEMENT CROSSING**

**CABLE STAYED BRIDGE  
 D2M OPTION  
 FOUNDATIONS  
 MONO-TOWER**

Drawing status: **PRELIMINARY**

Scale	AS SHOWN @ A1	DO NOT SCALE
Client no.	RD 001675	

Drawing number	<b>FRC/C/076/D2M/401</b>	Rev	<b>0</b>
----------------	--------------------------	-----	----------

This drawing is not to be used in whole or part other than for the intended purpose and project as defined on this drawing. Refer to the contract for full terms and conditions.