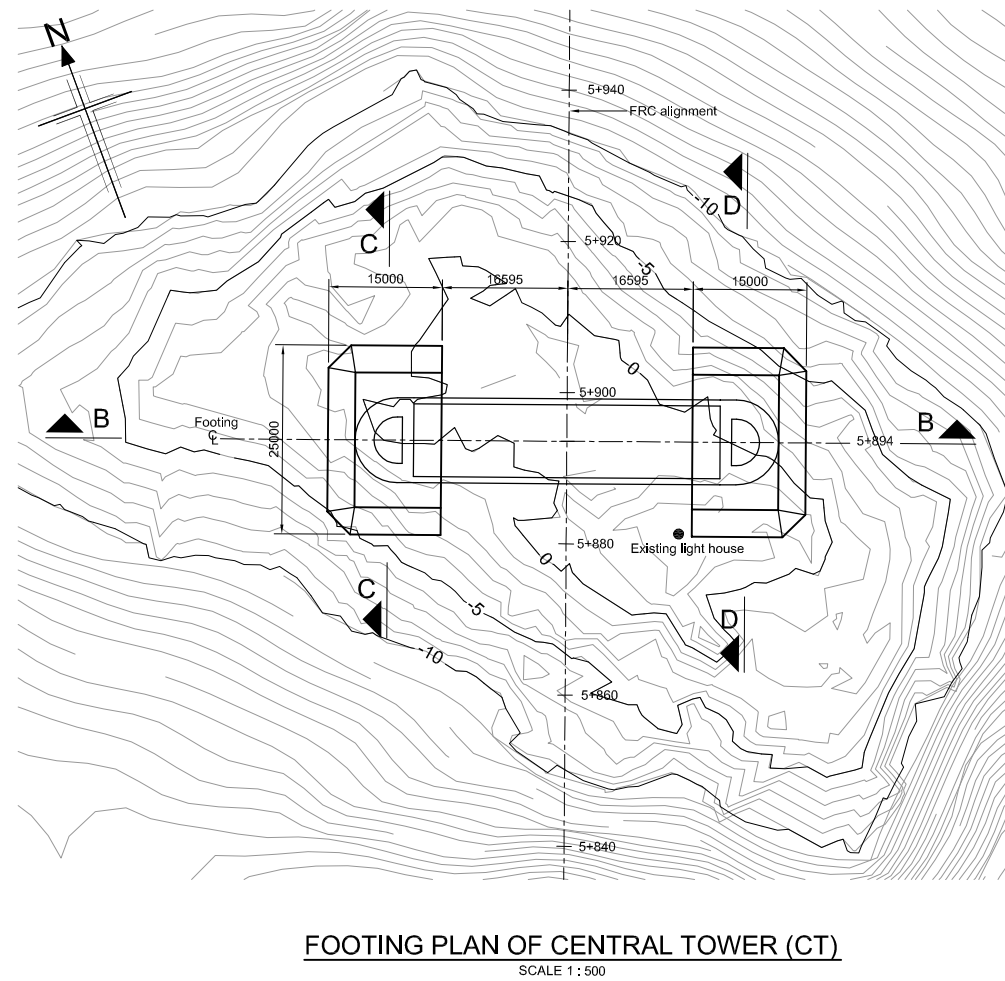
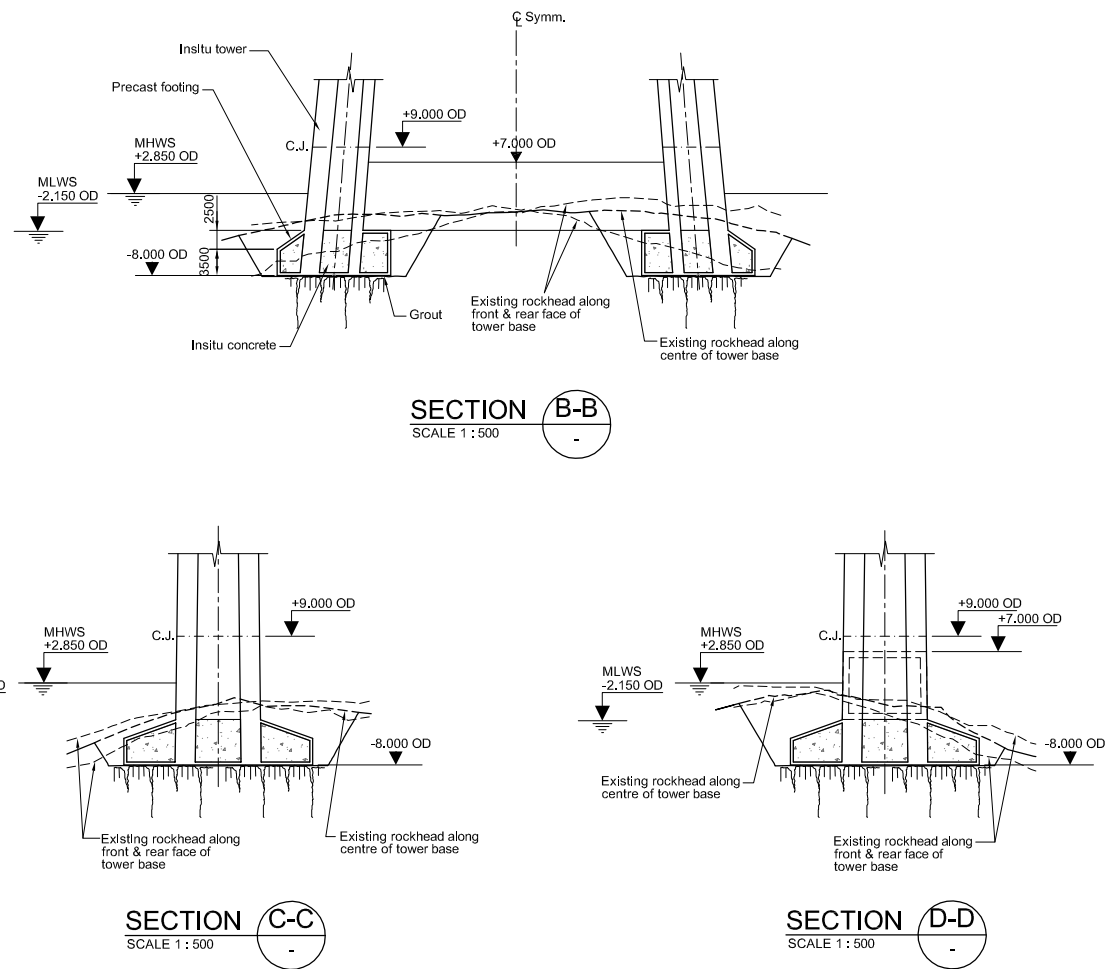
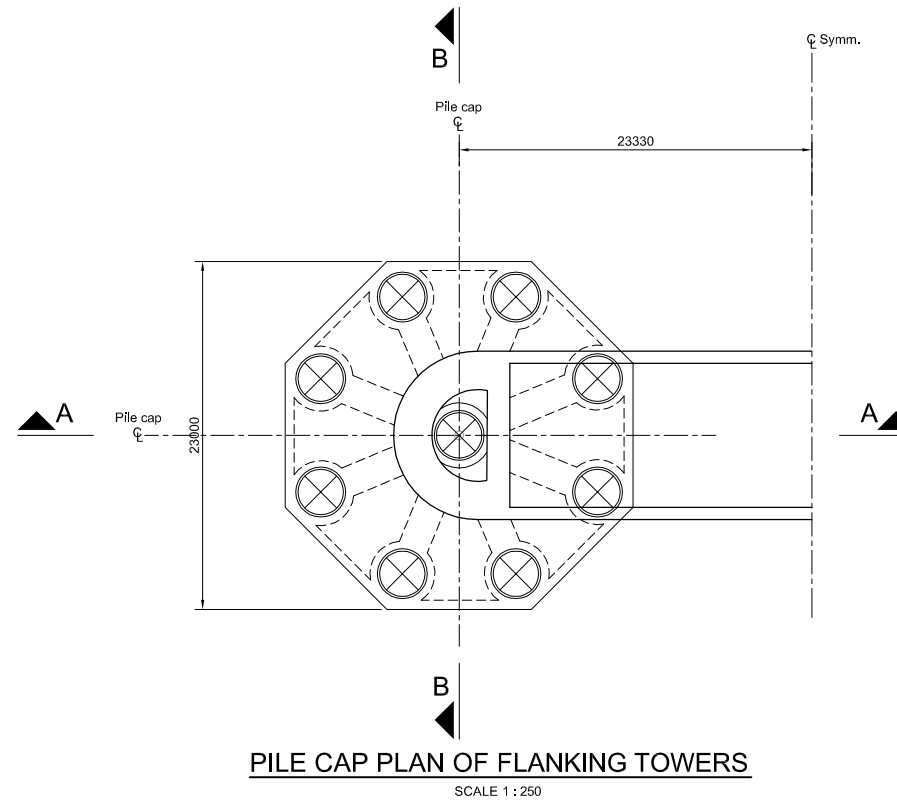
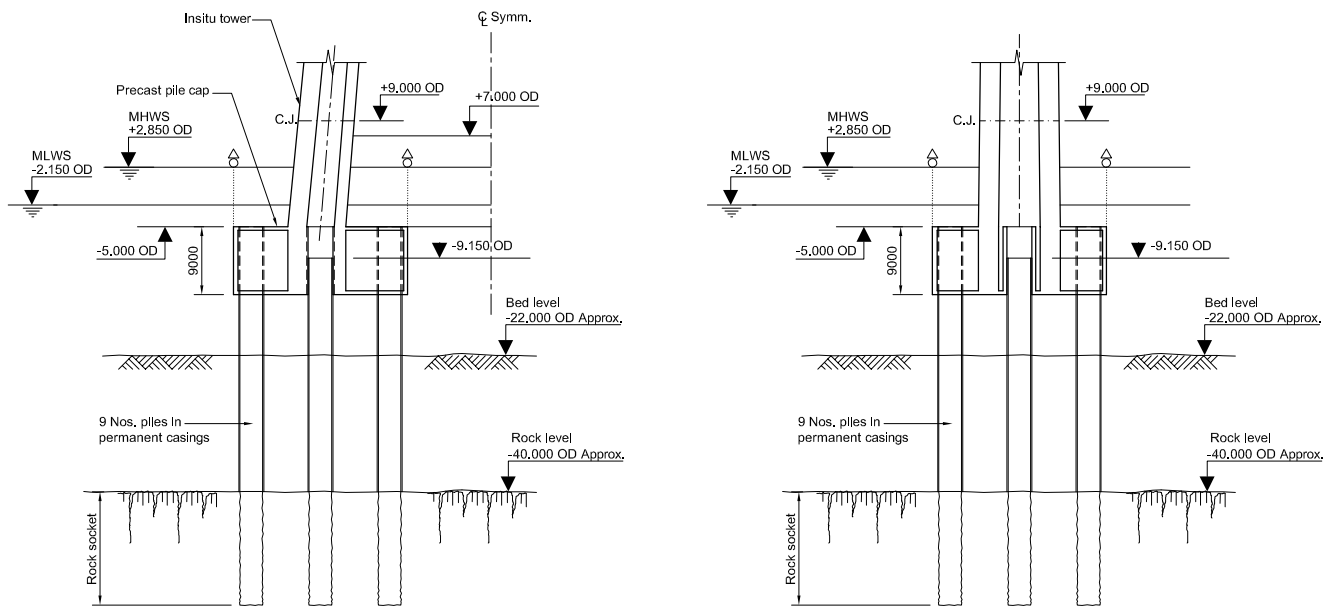
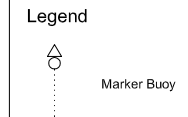


This map is based on Ordnance Survey material with the permission of Ordnance Survey on behalf of the Controller of Her Majesty's Stationery Office. © Crown copyright. Unauthorised reproduction infringes Crown copyright and may lead to prosecution or civil proceedings. Scottish Government 100020540 (Year of publication)
 Created by: JACOBBS File: J:\125100\ARUP\CIVIL\FRC-C-076-D2M-421.dwg Date: Nov 05, 2008 - 5:34pm Plotted by: sunnyjeung



- Notes**
1. Pile diameter varies from 3000mm to 3400mm depending on option.
 2. Geological stratum levels shown are tentative only.



Rev	Rev. Date	Purpose of revision	Drawn	Checked	Reviewed	Approved
0						



JACOBS ARUP

Project
FORTH REPLACEMENT CROSSING

Drawing title
CABLE STAYED BRIDGE D2M OPTION FOUNDATIONS H-SHAPE TOWER

Drawing status
PRELIMINARY

Scale AS SHOWN @ A1 DO NOT SCALE

Client no. RD 001675

Drawing number **FRC/C/076/D2M/421** Rev **0**

This drawing is not to be used in whole or part other than for the intended purpose and project as defined on this drawing. Refer to the contract for full terms and conditions.