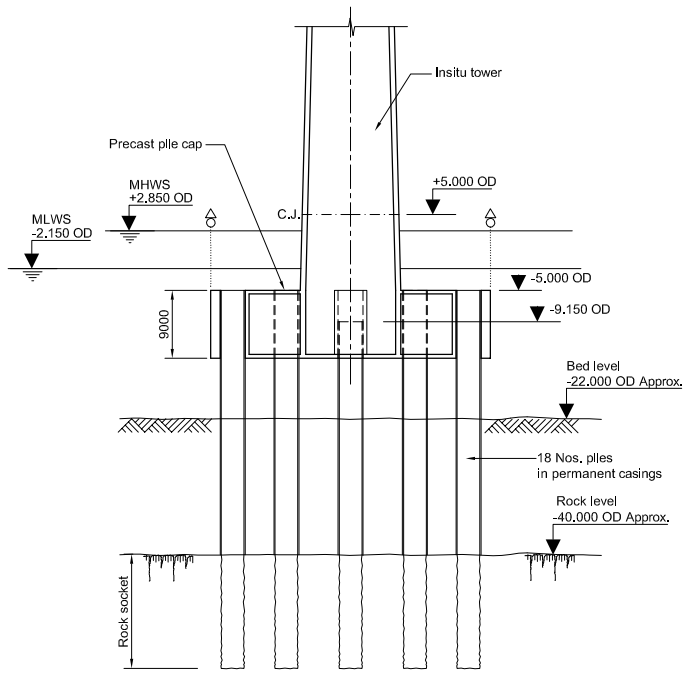
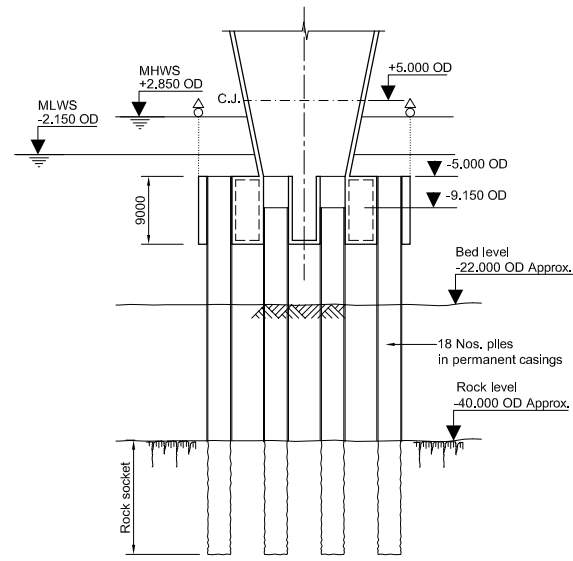


This map is based on Ordnance Survey material with the permission of Ordnance Survey on behalf of the Controller of Her Majesty's Stationery Office. © Crown copyright. Unauthorised reproduction infringes Crown copyright and may lead to prosecution or civil proceedings. Scottish Government 100020540 (Year of publication).
 Created by: JACOB File: J:\125100\ARUP\CIVIL\FRC-C-076-D2M-441.dwg Date: Nov 05, 2008 - 6:35pm Plotted by: sunny.leung

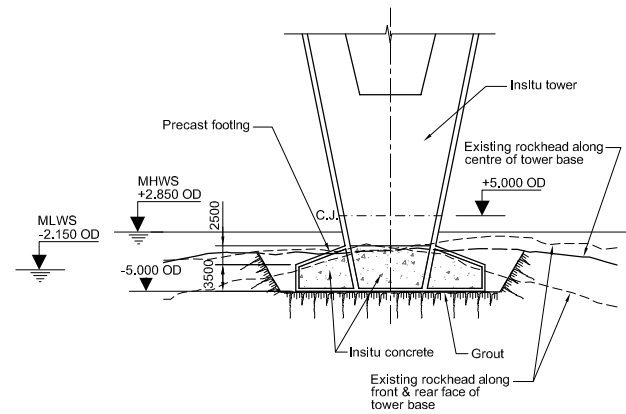


SECTION A-A
 SCALE 1 : 500

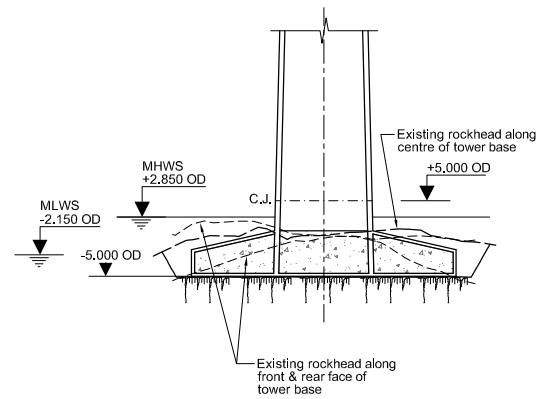
(South Tower shown, and North Tower similar but bed level and rock level shallower)



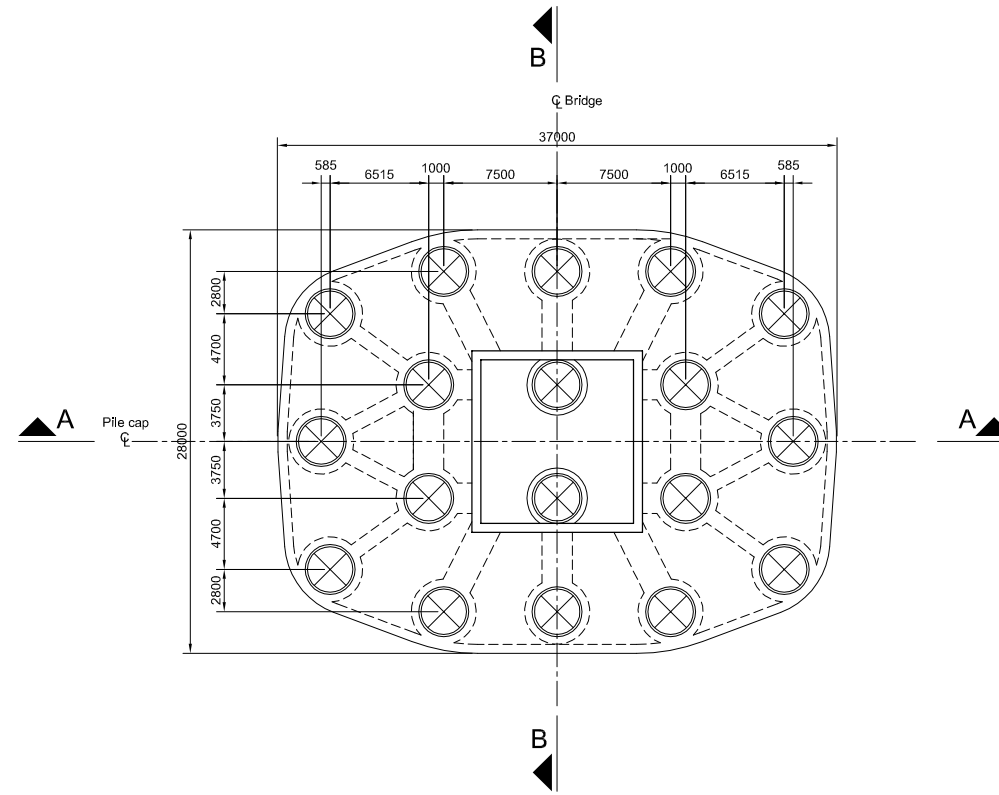
SECTION B-B
 SCALE 1 : 500



SECTION C-C
 SCALE 1 : 500

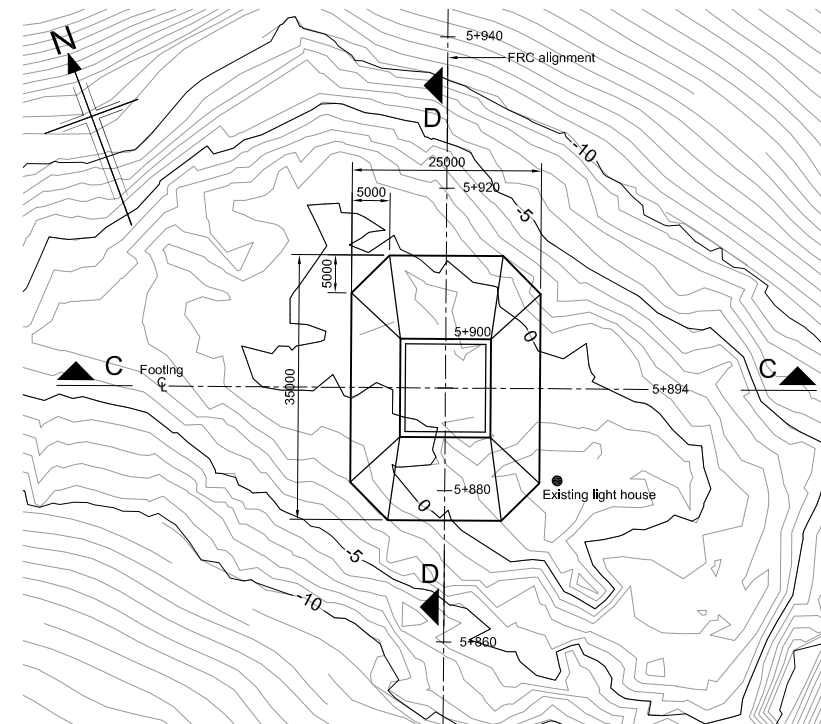


SECTION D-D
 SCALE 1 : 500



PILE CAP PLAN OF FLANKING TOWERS

SCALE 1 : 250



FOOTING PLAN OF CENTRAL TOWER (CT)

SCALE 1 : 500

Notes

1. Pile diameter varies from 3000mm to 3400mm depending on option.
2. Geological stratum levels shown are tentative only.

Legend



Rev	Rev. Date	Purpose of revision	Drawn	Checked	Reviewed	Approved
0						

Client

JACOBS ARUP

Project
FORTH REPLACEMENT CROSSING

Drawing title
**CABLE STAYED BRIDGE
 D2M OPTION
 FOUNDATIONS
 DIAMOND TOWER**

Drawing status
PRELIMINARY

Scale: AS SHOWN @ A1 | DO NOT SCALE
 Client no.: RD 001675

Drawing number: **FRC/C/076/D2M/441** | Rev: **0**

This drawing is not to be used in whole or part other than for the intended purpose and project as defined on this drawing. Refer to the contract for full terms and conditions.