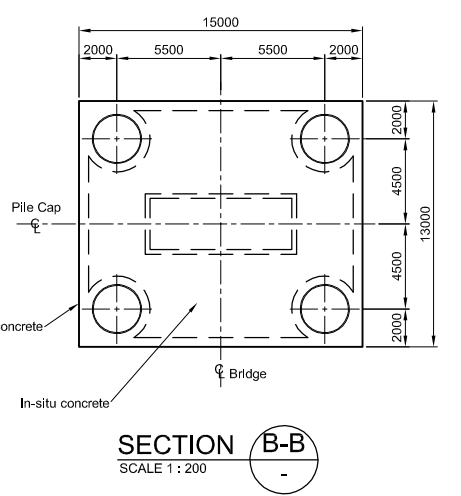
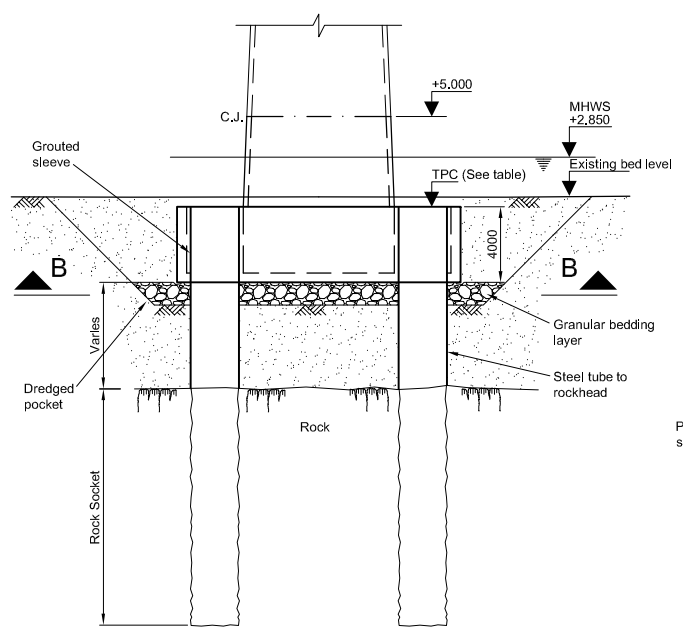
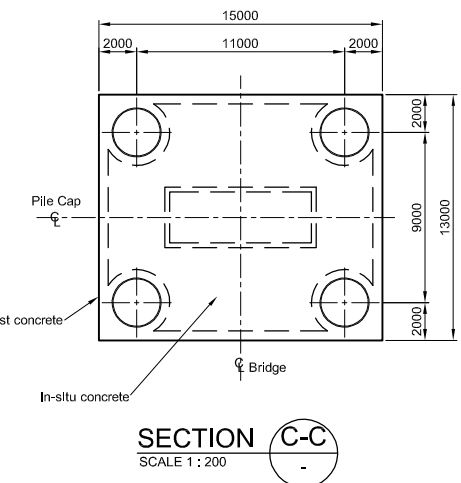
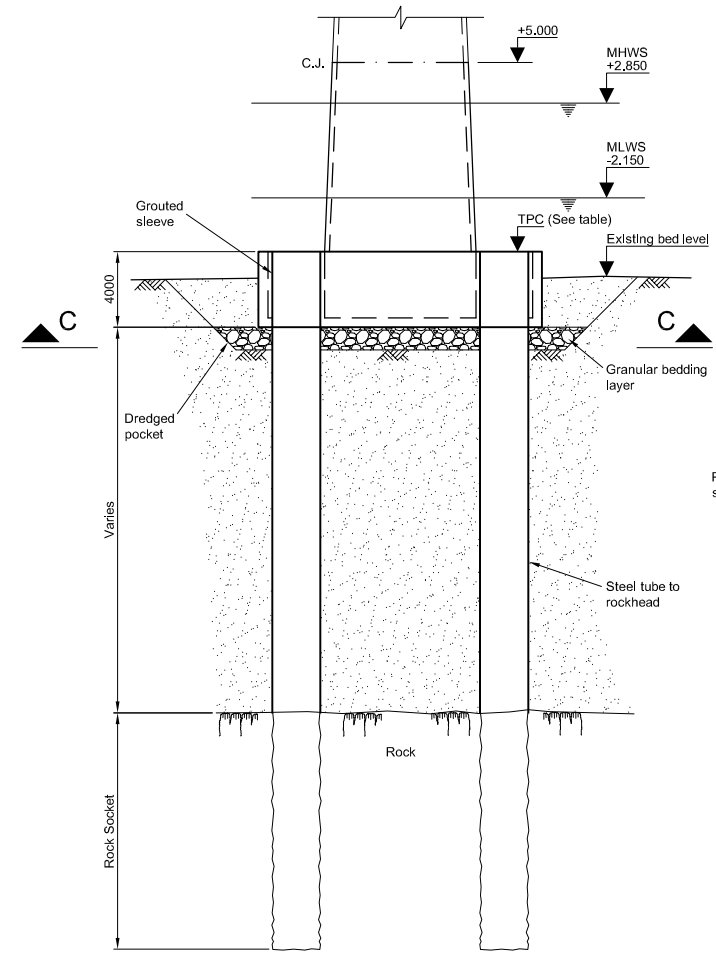
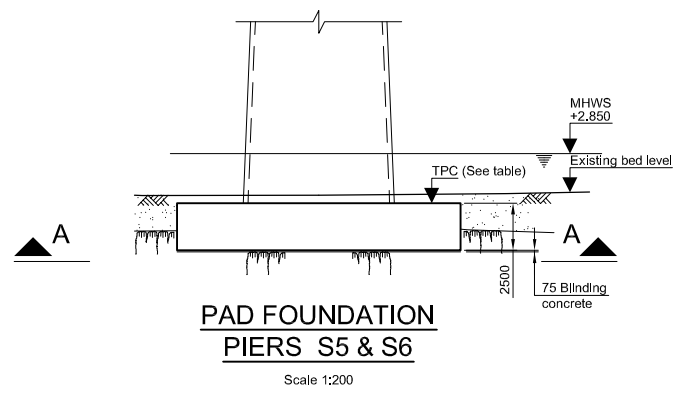
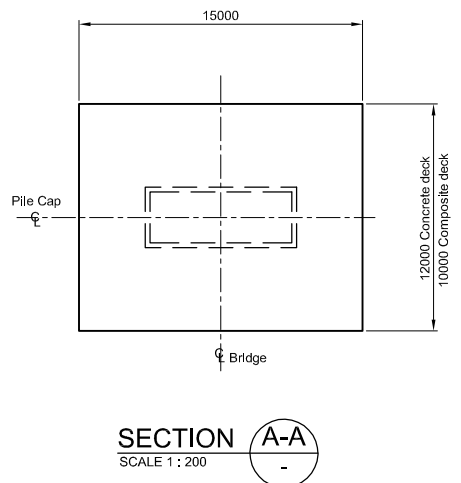
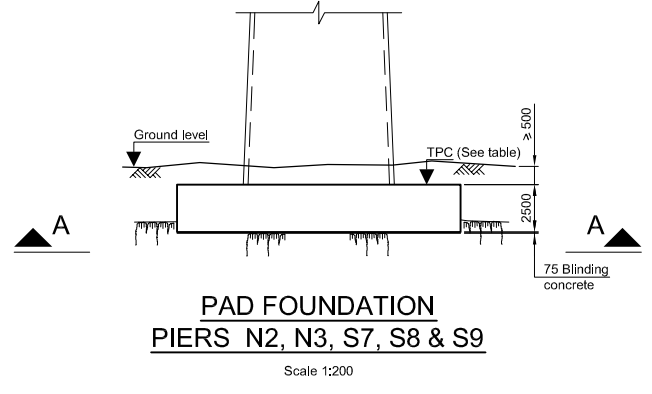


**NOTES**  
 1. ALL DIMENSIONS ARE IN MILLIMETRES.  
 2. ALL LEVELS ARE IN METRES ABOVE ORDNANCE DATUM.

**Legend**  
 TPC TOP OF PILECAP  
 C.J. CONSTRUCTION JOINT



TOP OF PILECAP LEVELS	
PIER	LEVEL
S1	-5m
S2	-3.5m
S3	-3.0m
S4	-2.5m
S5	-1.5m
S6	*
S7	*
S8	*
S9	*
N1	-3.5m
N2	*
N3	*

\* TPC to be 0.5m below bed level or -5.0m OD whichever is the higher.

File: J:\1250001\25101-001\HLG Project Data\11 Drawings\ID2M\FRC-C-076-D2M-461.dwg Date: Nov 07, 2006 - 8:06am Plotted by: len.griffin  
 Created by: ARUP

0						
Rev	Rev. Date	Purpose of revision	Drawn	Checked	Reviewed	Approved
Client						
 An agency of The Scottish Government						
 <b>JACOBS ARUP</b>						
Project <b>FORTH REPLACEMENT CROSSING</b>						
Drawing title <b>CABLE STAYED BRIDGE AND APPROACH SPANS PIER FOUNDATIONS</b>						
Drawing status <b>PRELIMINARY</b>						
Scale		AS SHOWN @ A1	DO NOT SCALE			
Client no.		RD 001675				
Drawing number						Rev
<b>FRC/C/076/D2M/461</b>						<b>0</b>
This drawing is not to be used in whole or part other than for the intended purpose and project as defined on this drawing. Refer to the contract for full terms and conditions.						