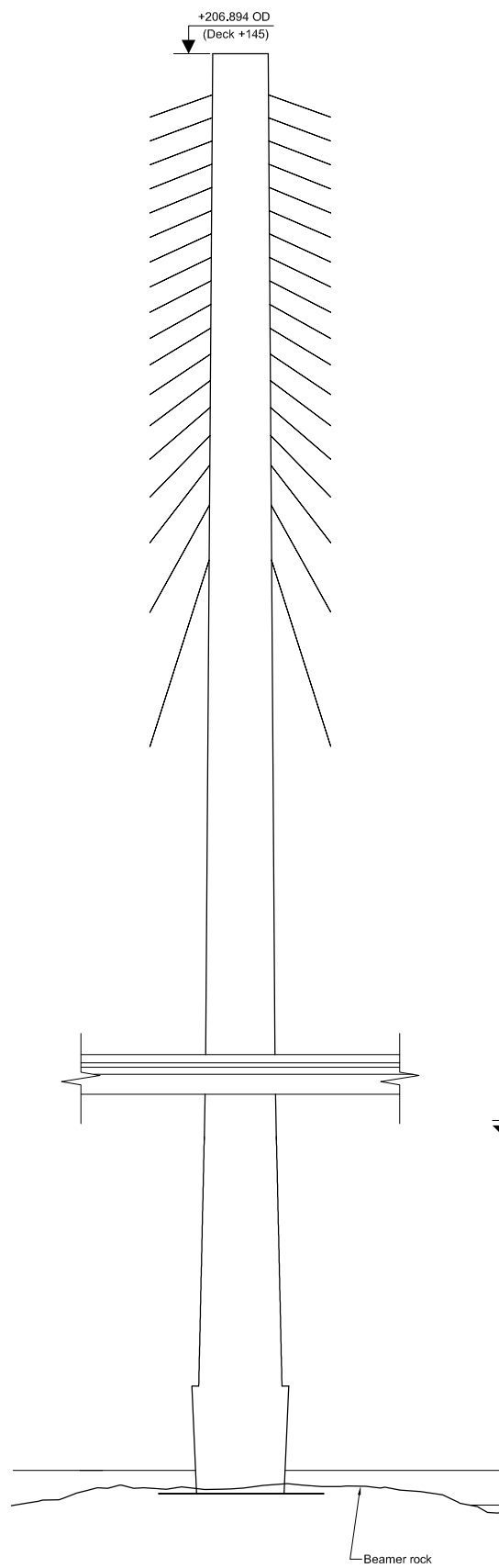
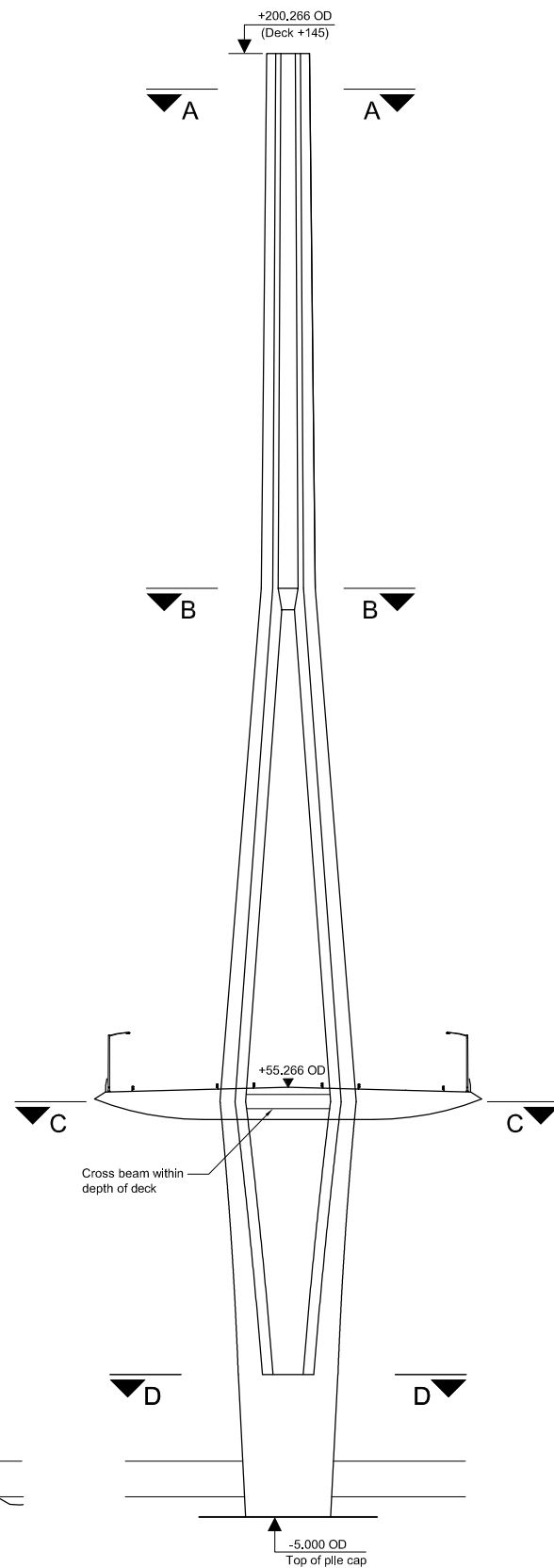


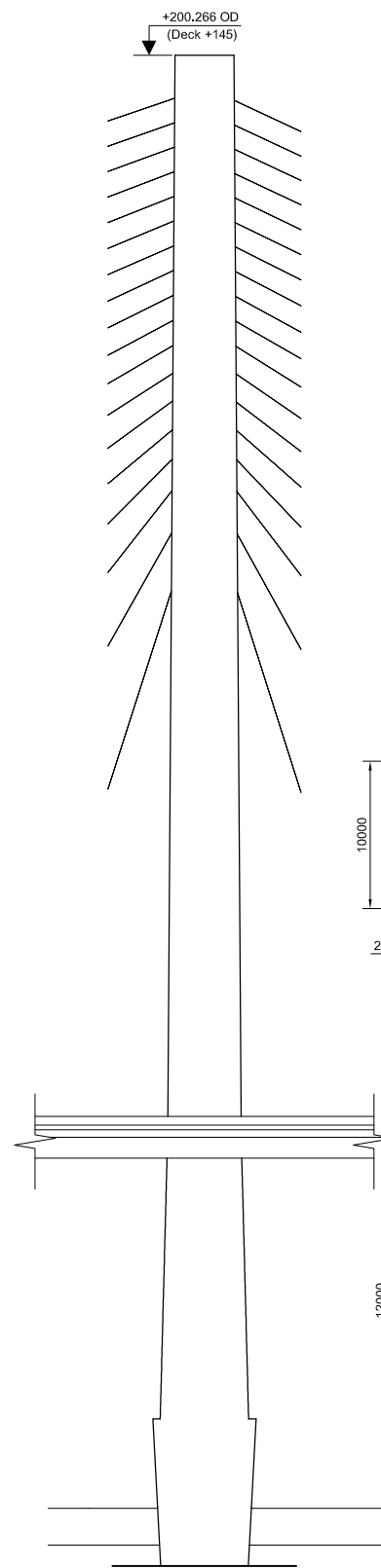
**CENTRAL TOWER (CT)**  
**(FRONT VIEW)**  
 SCALE 1 : 500



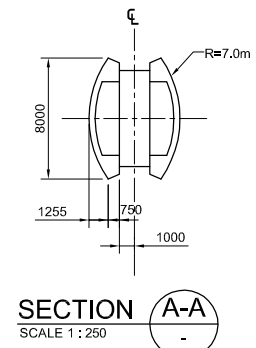
**CENTRAL TOWER (CT)**  
**(SIDE VIEW)**  
 SCALE 1 : 500



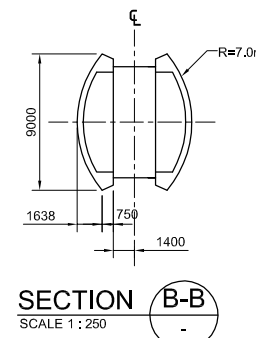
**FLANKING TOWERS (NT/ST)**  
**(FRONT VIEW)**  
 SCALE 1 : 500



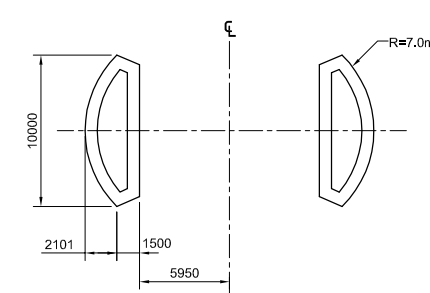
**FLANKING TOWERS (NT/ST)**  
**(SIDE VIEW)**  
 SCALE 1 : 500



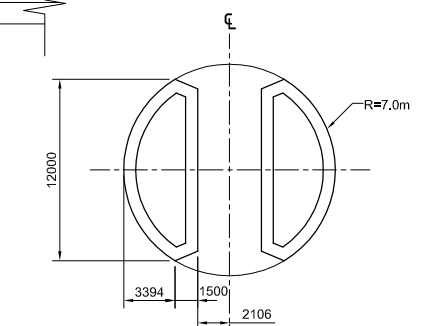
**SECTION A-A**  
 SCALE 1 : 250



**SECTION B-B**  
 SCALE 1 : 250



**SECTION C-C**  
 SCALE 1 : 250



**SECTION D-D**  
 SCALE 1 : 250

- Notes**
1. Tower arrangement shown for 650m main span.
  2. For details of tower foundation, see drawing FRC/C/076/S/401.

Rev	Rev. Date	Purpose of revision	Drawn	Checked	Reviewed	Approved
0						



**JACOBS ARUP**

Project  
**FORTH REPLACEMENT CROSSING**

Drawing title  
**CABLE STAYED BRIDGE NEEDLE TOWER GENERAL ARRANGEMENT CROSS SECTION N1**

Drawing status  
**PRELIMINARY**

Scale  
 AS SHOWN @ A1 DO NOT SCALE

Client no.  
 RD 001675

Drawing number  
**FRC/C/076/S/201**

Rev  
**0**

This drawing is not to be used in whole or part other than for the intended purpose and project as defined on this drawing. Refer to the contract for full terms and conditions.

Created by: JACOBS File: J:\125100\ARUP\CIVIL\FRC-C-076-S-201.dwg Date: Jun 25, 2008 - 1:33pm Plotted by: Sunny Leung