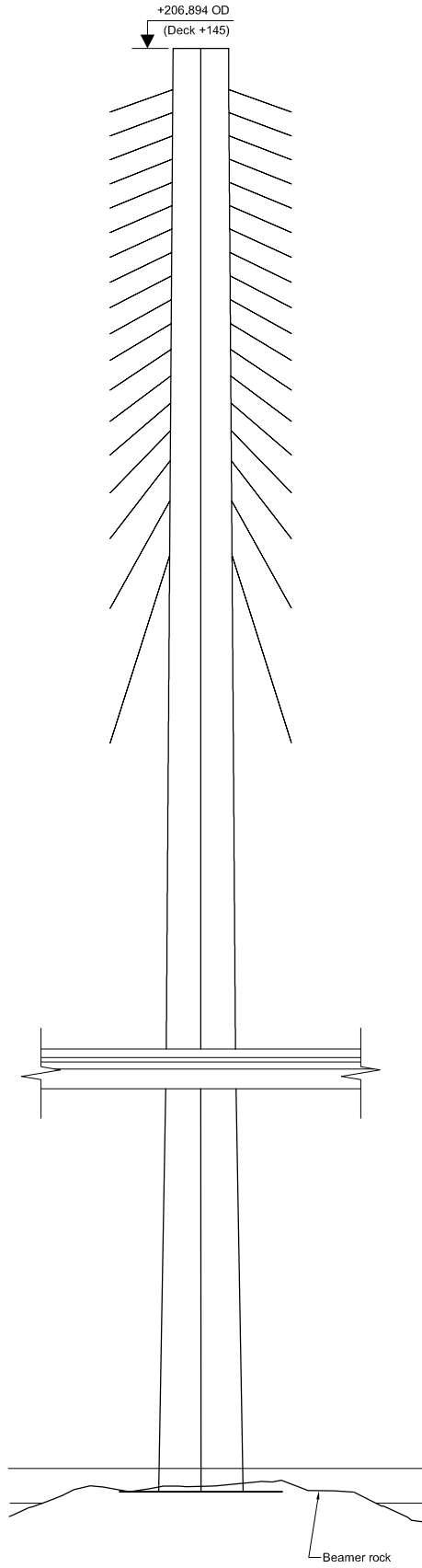
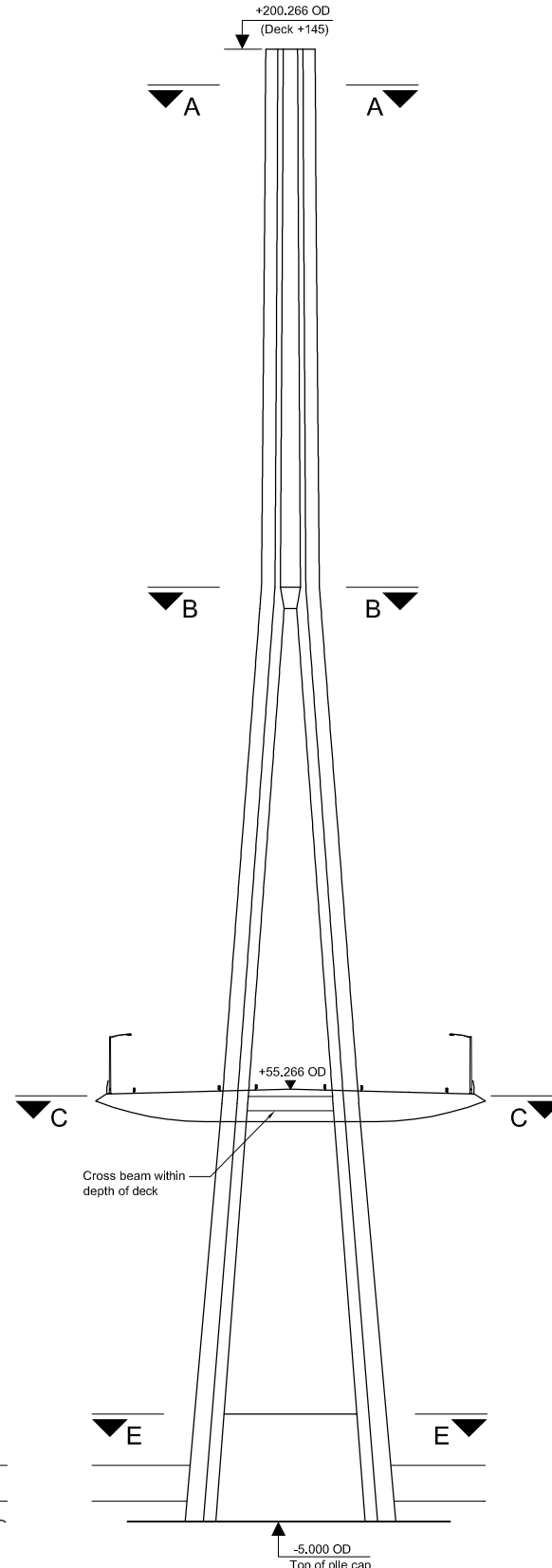


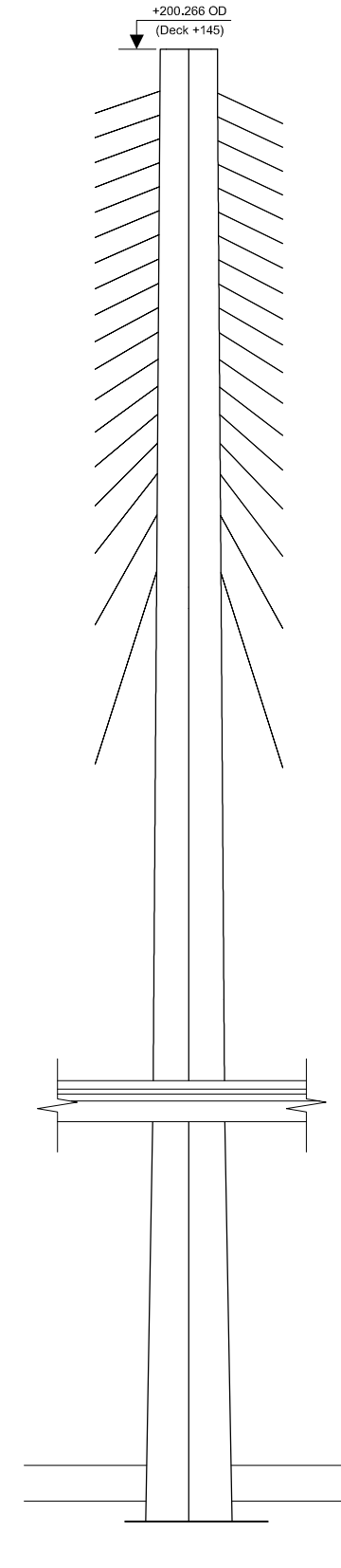
**CENTRAL TOWER (CT)**  
**(FRONT VIEW)**  
 SCALE 1 : 500



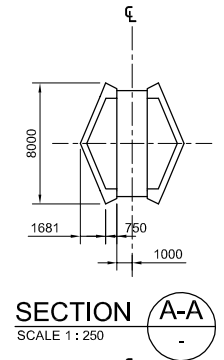
**CENTRAL TOWER (CT)**  
**(SIDE VIEW)**  
 SCALE 1 : 500



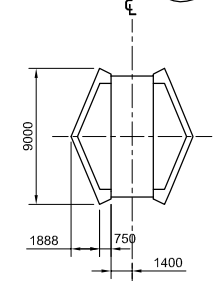
**FLANKING TOWERS (NT/ST)**  
**(FRONT VIEW)**  
 SCALE 1 : 500



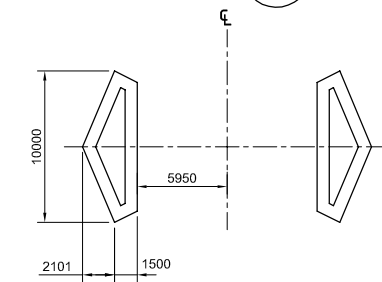
**FLANKING TOWERS (NT/ST)**  
**(SIDE VIEW)**  
 SCALE 1 : 500



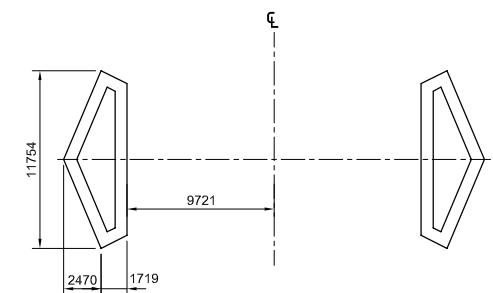
**SECTION A-A**  
 SCALE 1 : 250



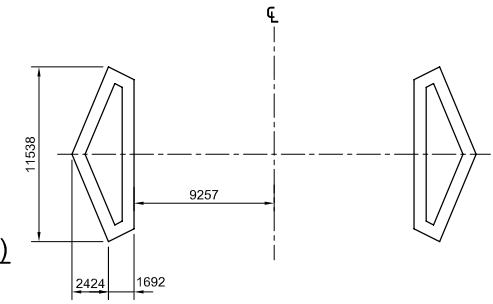
**SECTION B-B**  
 SCALE 1 : 250



**SECTION C-C**  
 SCALE 1 : 250



**SECTION D-D**  
 SCALE 1 : 250



**SECTION E-E**  
 SCALE 1 : 250

- Notes**
1. Tower arrangement shown for 650m main span.
  2. For details of tower foundation, see drawing FRC/C/076/S/421.

Rev	Rev. Date	Purpose of revision	Drawn	Checked	Reviewed	Approved
0						

Client:



TRANSPORT SCOTLAND

An agency of The Scottish Government

**JACOBS ARUP**

Project: **FORTH REPLACEMENT CROSSING**

Drawing title: **CABLE STAYED BRIDGE INVERTED Y TOWER GENERAL ARRANGEMENT CROSS SECTION Y1**

Drawing status: **PRELIMINARY**

Scale: **AS SHOWN** | **DO NOT SCALE**

Client no. **RD 001675**

Drawing number: **FRC/C/076/S/221** | Rev: **0**

This drawing is not to be used in whole or part other than for the intended purpose and project as defined on this drawing. Refer to the contract for full terms and conditions.