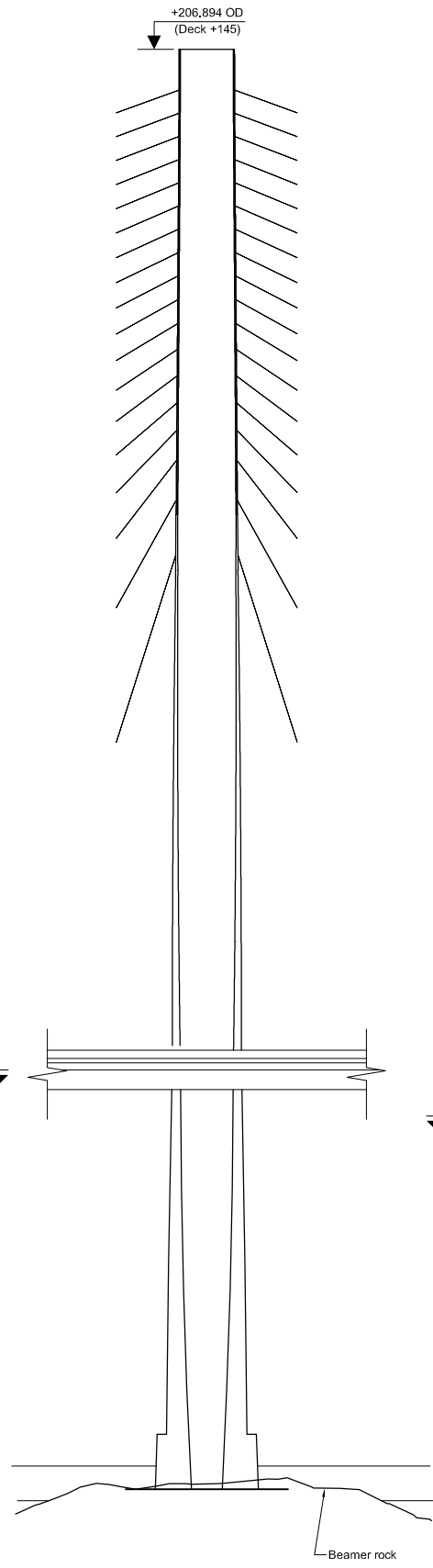
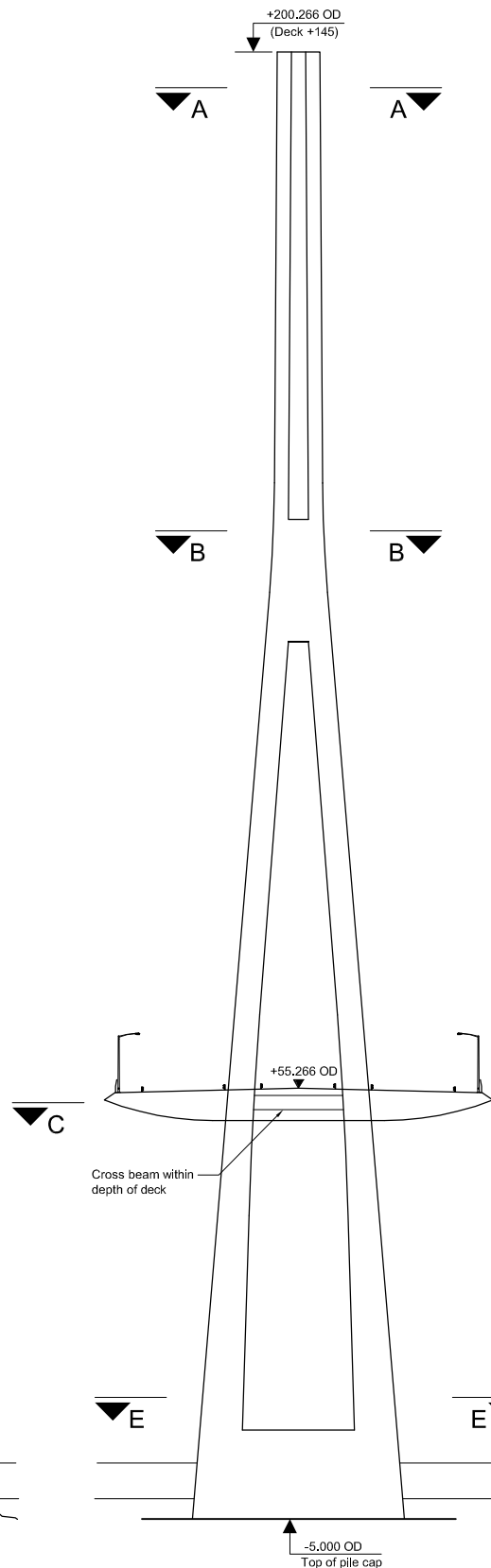


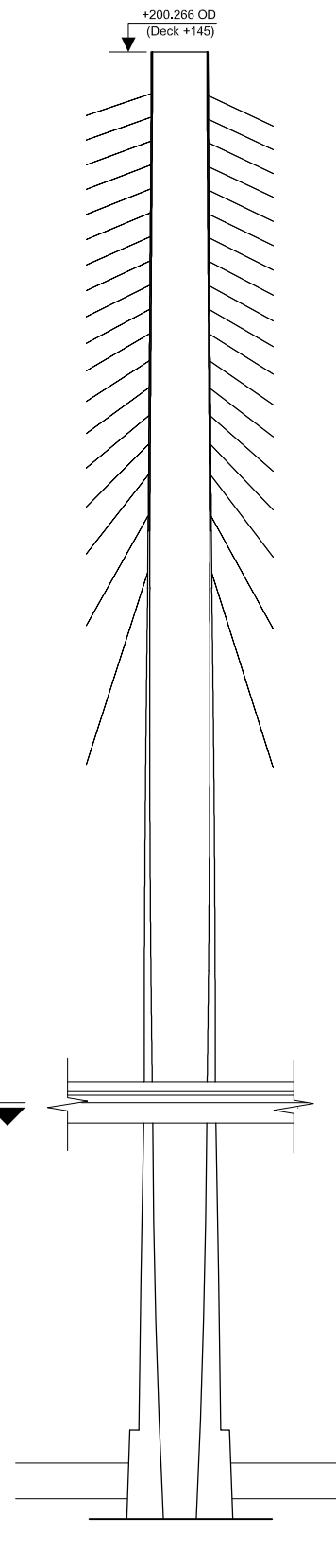
CENTRAL TOWER (CT)
(FRONT VIEW)
 SCALE 1 : 500



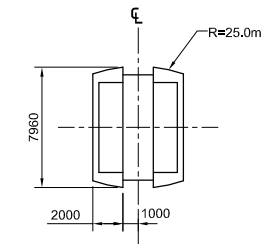
CENTRAL TOWER (CT)
(SIDE VIEW)
 SCALE 1 : 500



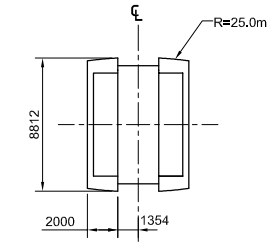
FLANKING TOWERS (NT/ST)
(FRONT VIEW)
 SCALE 1 : 500



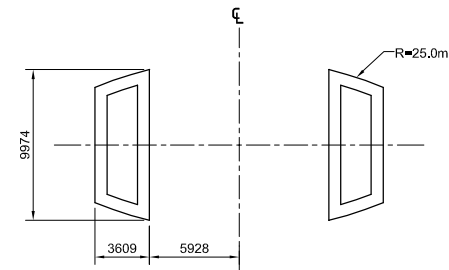
FLANKING TOWERS (NT/ST)
(SIDE VIEW)
 SCALE 1 : 500



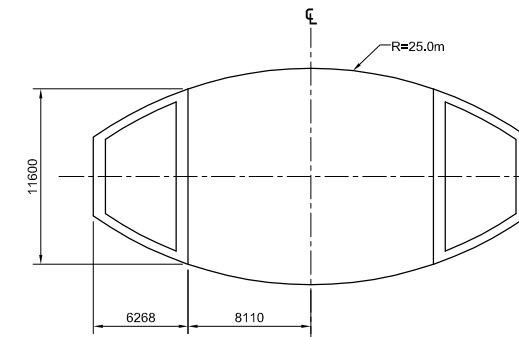
SECTION A-A
 SCALE 1 : 250



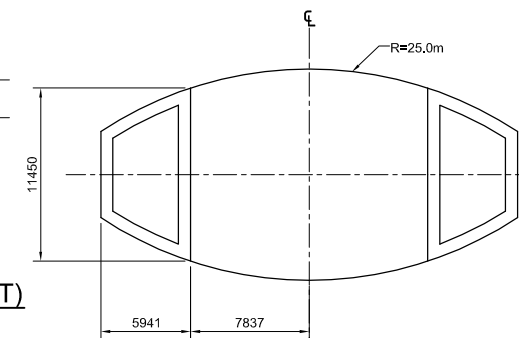
SECTION B-B
 SCALE 1 : 250



SECTION C-C
 SCALE 1 : 250



SECTION D-D
 SCALE 1 : 250



SECTION E-E
 SCALE 1 : 250

- Notes**
1. Tower arrangement shown for 650m main span.
 2. For details of tower foundation, see drawing FRC/C/076/S/421.

Created by: JACOBS File: J:\125\001\ARUP\CIVIL\FRC-C-076-S-222.dwg Date: Jun 25, 2008 - 1:33pm Plotted by: Sunny Jeung

Rev	Rev. Date	Purpose of revision	Drawn	Checked	Reviewed	Approved
0						

Client:



TRANSPORT SCOTLAND
 An agency of The Scottish Government

JACOBS ARUP

Project: **FORTH REPLACEMENT CROSSING**

Drawing title: **CABLE STAYED BRIDGE INVERTED Y TOWER GENERAL ARRANGEMENT CROSS SECTION Y2**

Drawing status: **PRELIMINARY**

Scale: **AS SHOWN** | **DO NOT SCALE**

Client no.: **RD 001675**

Drawing number: **FRC/C/076/S/222** | Rev: **0**

This drawing is not to be used in whole or part other than for the intended purpose and project as defined on this drawing. Refer to the contract for full terms and conditions.