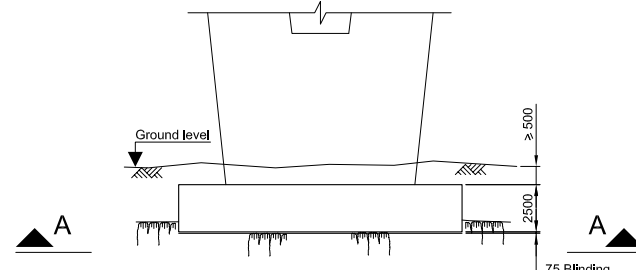
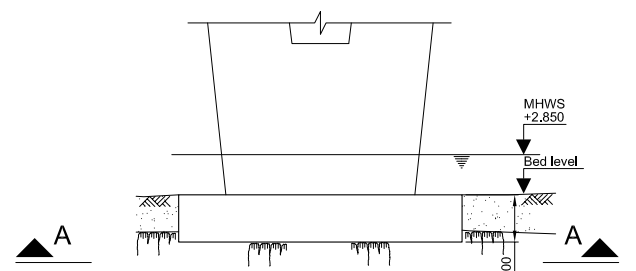


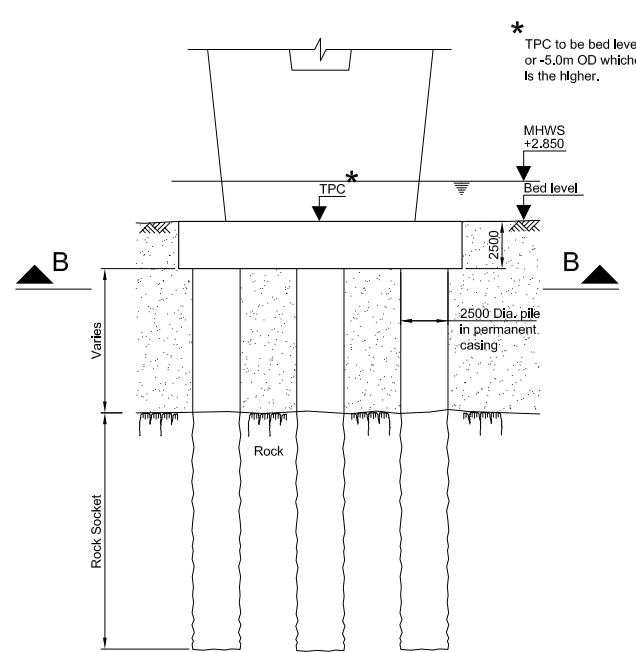
This map is reproduced from Ordnance Survey material with the permission of Ordnance Survey on behalf of the Controller of Her Majesty's Stationery Office. © Crown copyright. Unauthorised reproduction infringes Crown copyright and may lead to prosecution or civil proceedings. Licence GD 031135G001. Created by: ARUP File: J:\125000\125101\0011 Drawings\FRC-C-076-S-461.dwg Date: Jun 24, 2008 - 3:21pm Plotted by: leng.griffiths



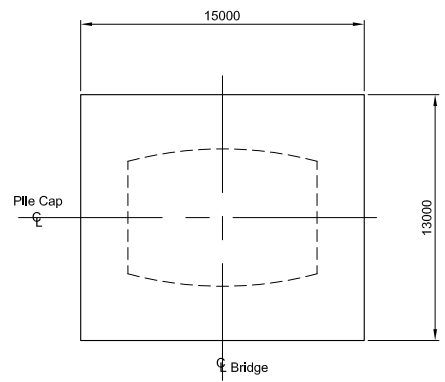
**PAD FOUNDATION**  
**PIERS N2, N3, S7, S8 & S9**  
 Scale 1:200



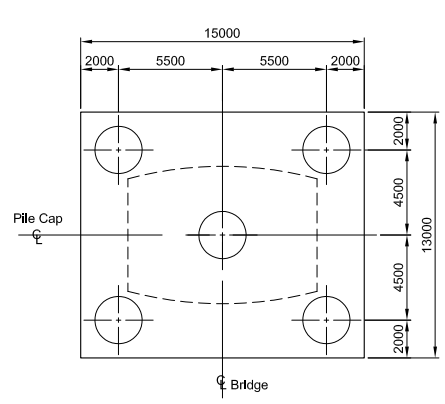
**PAD FOUNDATION**  
**PIERS S5 & S6**  
 Scale 1:200



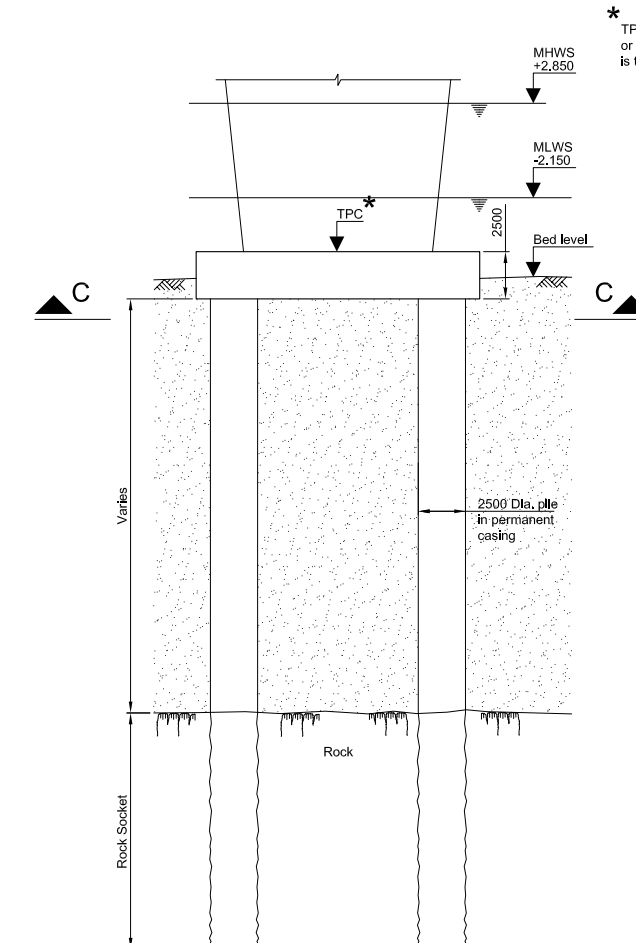
**PILED FOUNDATION**  
**PIERS S3 & S4**  
 Scale 1:200



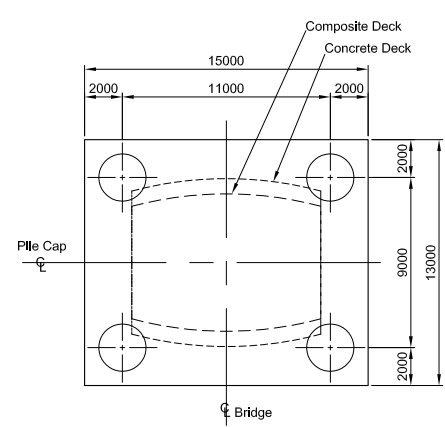
**SECTION A-A**  
 SCALE 1:200



**SECTION B-B**  
 SCALE 1:200



**PILED FOUNDATION**  
**PIERS N1, S1 & S2**  
 Scale 1:200



**SECTION C-C**  
 SCALE 1:200

\* TPC to be bed level or -5.0m OD whichever is the higher.

Notes

Legend

TPC Top of Pilecap

Rev	Rev. Date	Purpose of revision	Drawn	Checked	Reviewed	Approved
0						



**JACOBS ARUP**

Project  
**FORTH REPLACEMENT CROSSING**

Drawing title  
**APPROACH SPANS FOUNDATIONS COMPOSITE & CONCRETE DECKS**

Drawing status  
**PRELIMINARY**

Scale  
 AS SHOWN DO NOT SCALE

Client no.  
 RD 001675

Drawing number  
**FRC/C/076/S/461**

Rev  
**0**

This drawing is not to be used in whole or part other than for the intended purpose and project as defined on this drawing. Refer to the contract for full terms and conditions.