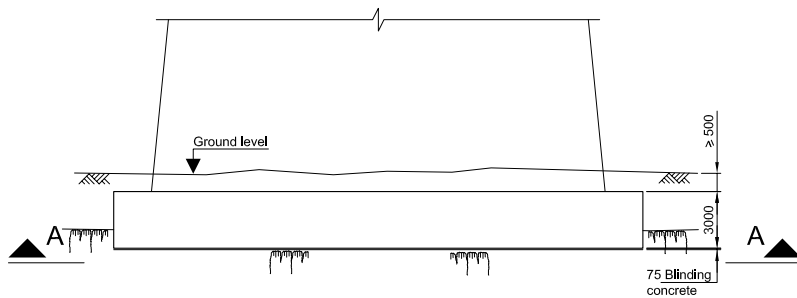
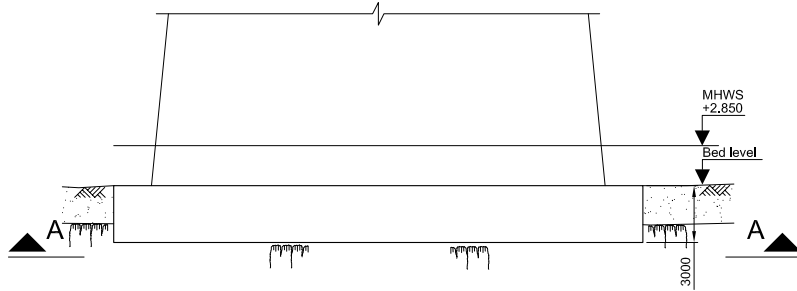


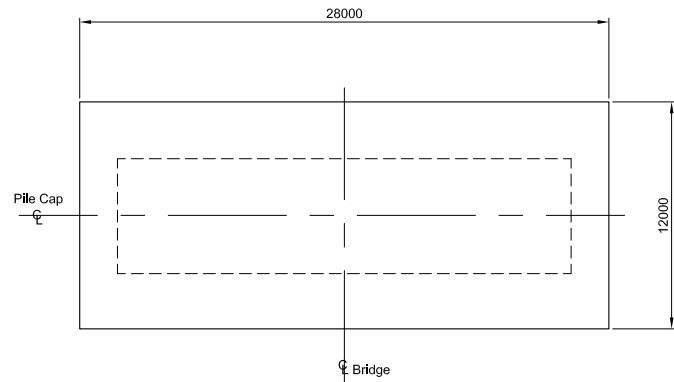
This map is reproduced from Ordnance Survey material with the permission of Ordnance Survey on behalf of the Controller of Her Majesty's Stationery Office. © Crown copyright. Unauthorised reproduction infringes Crown copyright and may lead to prosecution or civil proceedings. Licence GD 031135G001. Created by: ARUP File: J:\125000\125101\0011 Drawings\FRC-C-076-S-481.dwg Date: Jun 24, 2008 - 3:30pm Plotted by: leng.giffith



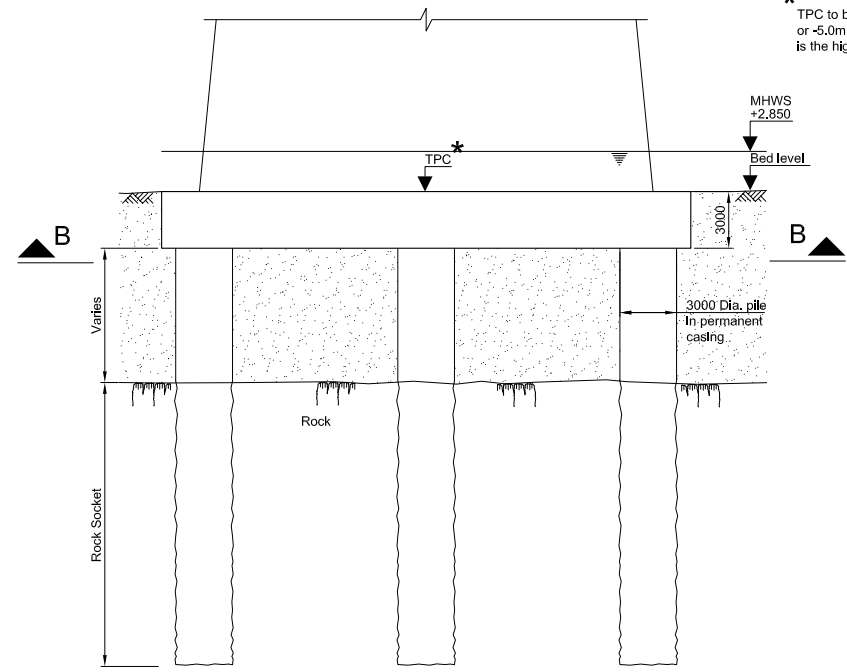
**PAD FOUNDATION  
 PIERS N2, S5 & S6**  
 Scale 1:200



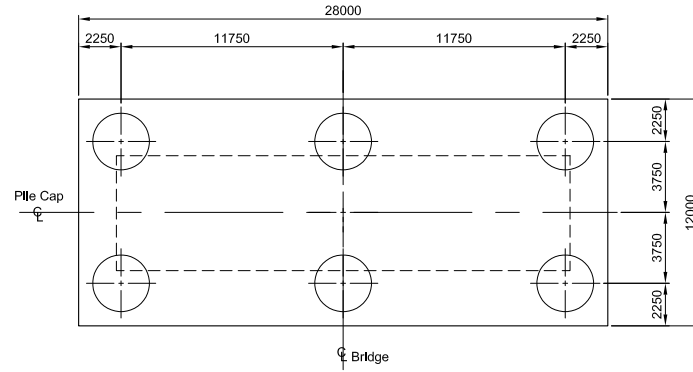
**PAD FOUNDATION  
 PIER S4**  
 Scale 1:200



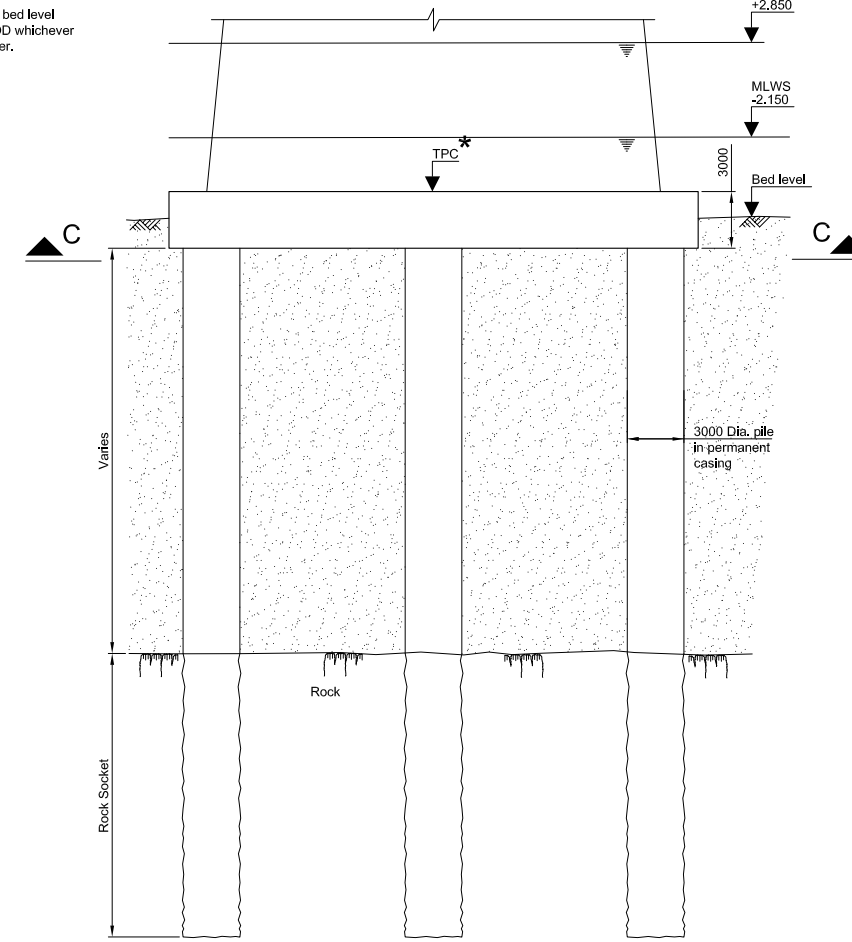
**SECTION A-A**  
 SCALE 1:200



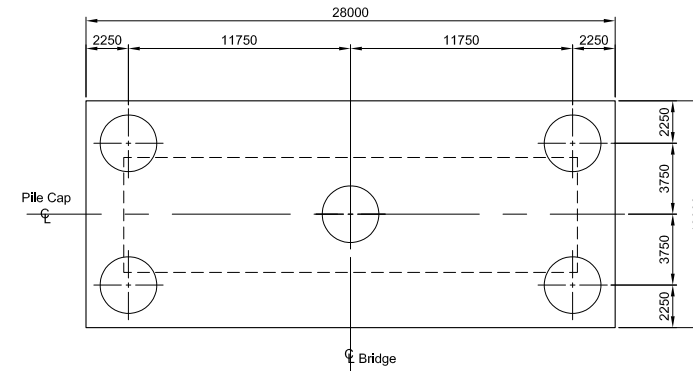
**PILED FOUNDATION  
 PIER S3**  
 Scale 1:200



**SECTION B-B**  
 SCALE 1:200



**PILED FOUNDATION  
 PIERS N1, S1 & S2**  
 Scale 1:200



**SECTION C-C**  
 SCALE 1:200

Notes

Legend

TPC Top of Pilecap

Rev	Rev. Date	Purpose of revision	Drawn	Checked	Reviewed	Approved
0						



**JACOBS ARUP**

Project **FORTH REPLACEMENT CROSSING**

Drawing title **APPROACH SPANS FOUNDATIONS TRUSS DECK**

Drawing status **PRELIMINARY**

Scale **AS SHOWN DO NOT SCALE**

Client no. **RD 001675**

Drawing number **FRC/C/076/S/481** Rev **0**

This drawing is not to be used in whole or part other than for the intended purpose and project as defined on this drawing. Refer to the contract for full terms and conditions.