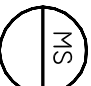
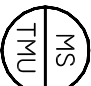


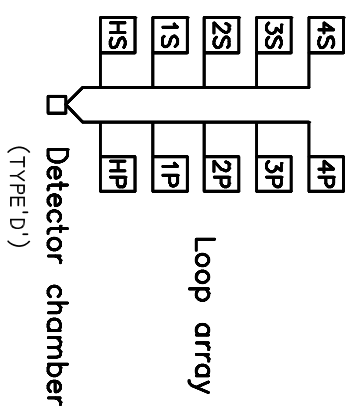


KEY

- 
 MONITORING SITE COUNTING UNIT, HOUSED IN TMU CABINET
- 
 MONITORING SITE COUNTING UNIT, HOUSED IN TMU CABINET
- 
 POWER DISTRIBUTION EQUIPMENT (TP/TEDP)
- 
 COMMUNICATIONS TERMINATION EQUIPMENT HOUSED IN TB13 CABINET
- (2 or 30) Communications cable – number in brackets denotes cable pairs
- (5 x LF) Loop Feeder Cables – number in brackets denotes number of cables.
- (PC) Power supply cable



SCOTTISH EXECUTIVE

Traffic Controller Unit,
EDINBURGH, EH8 8QA

NADICCS
www.nadics.org.uk

This drawing was generated on computer and must not be manually updated

TITLE DETECTOR LOOP LAYOUT (MONITORING)

ORIGINAL DRAWING SIZE: 297 x 420
ALL DIMENSIONS ARE IN MM
TOLERANCE ± 1 UNLESS OTHERWISE STATED
THIRD ANGLE PROJECTION DO NOT SCALE

ISSUE	AMENDMENTS	APPD/DATE
A	FOR CONSTRUCTION	BD 09/02/03
I	FIRST ISSUE	BD 19/07/02

DRN	C.S.G.	CHKD	B.D.	SCALE
DATE	15.07.02	DATE	19.07.02	N.I.S.

DRG. NO.	SHT. NO.
NDX1007-01c1	1 of 3