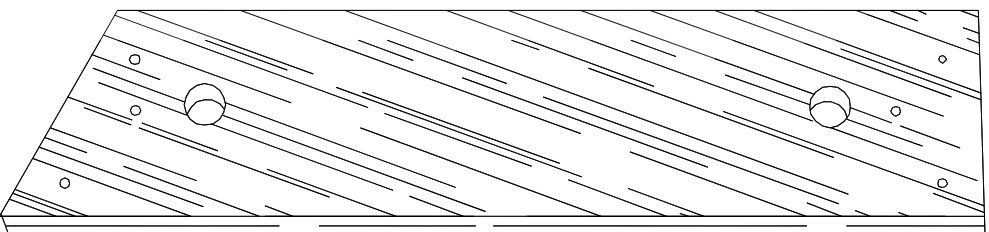


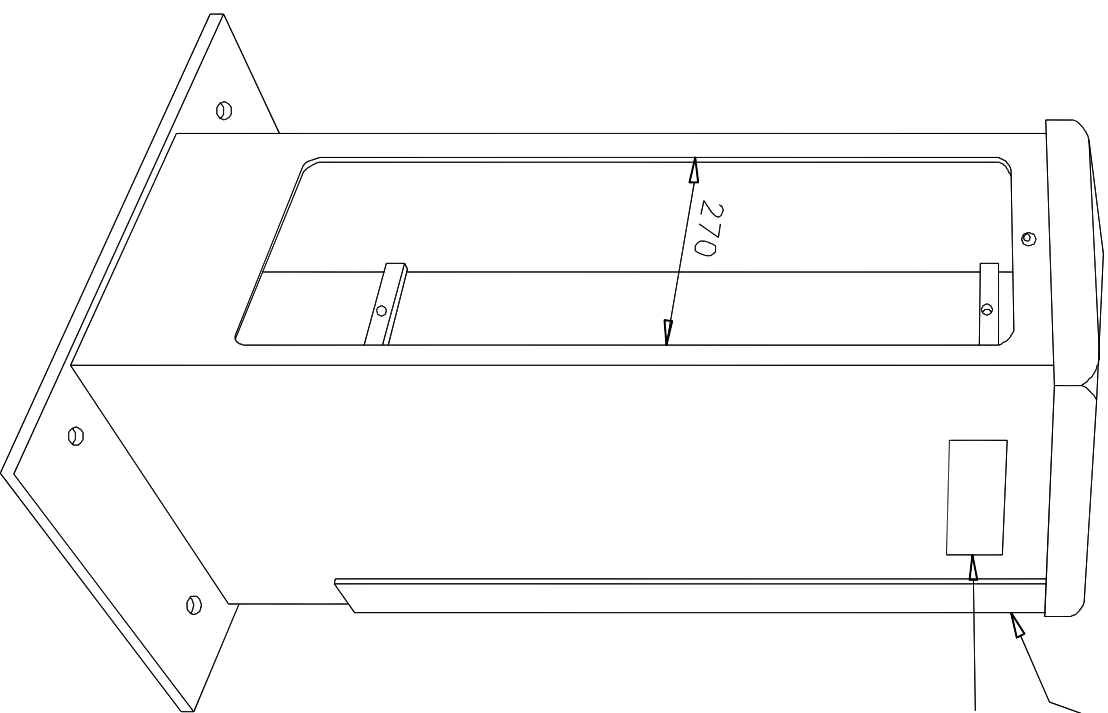
FRONT DOOR



BACKBOARD



CABINET 609



REAR DOOR

LABEL  
on side nearest  
hardshoulder  
(details in NDX1034-00dt  
sheets 5 & 6)

NOTES

1. The cabinet will be supplied with backboard fitted and four holding down nuts and bolts.
2. Approximate mass is 45kg.
3. Space in front of backboard approx. 174mm.
4. Materials:
  - (a) cabinet body, doors etc – Mild steel hot dip galvanised.
  - (b) backboard – Varnished marine plywood.

This drawing was generated on computer and must not be manually updated

TITLE GENERAL ASSEMBLY OF HA609 CABINET

ORIGINAL DRAWING SIZE: 297 x 420  
ALL DIMENSIONS ARE IN MM  
TOLERANCE ± 1 UNLESS OTHERWISE STATED  
THIRD ANGLE PROJECTION DO NOT SCALE

ISSUE	AMENDMENTS	APPD./DATE	
A	FOR CONSTRUCTION	BD 09.02.2003	
1	FIRST ISSUE	BD 07.12.2001	
DRN	C.S.G.	CHKD B.D.	
DATE	25.09.01	DATE	29.09.01
DRG. NO.	NDX1034-00ga		
SHT. NO.	1 of 6		