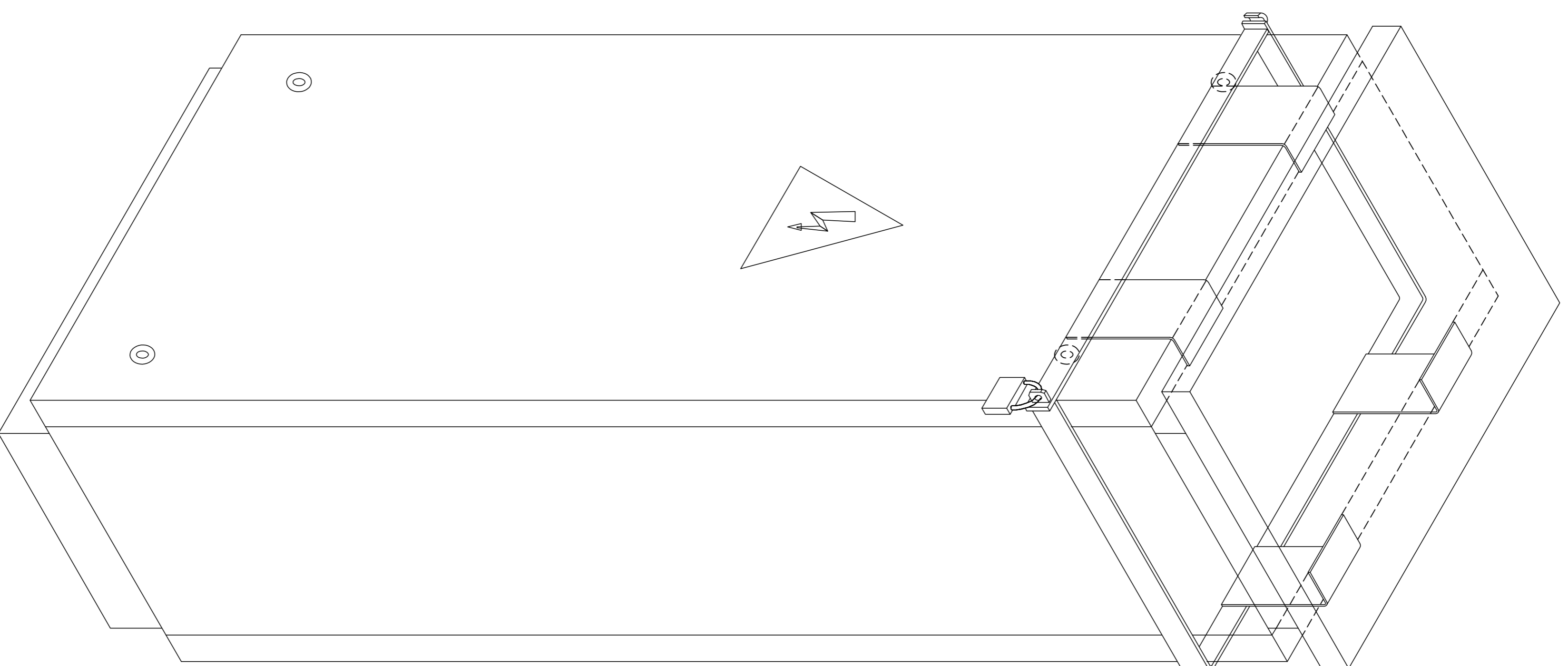
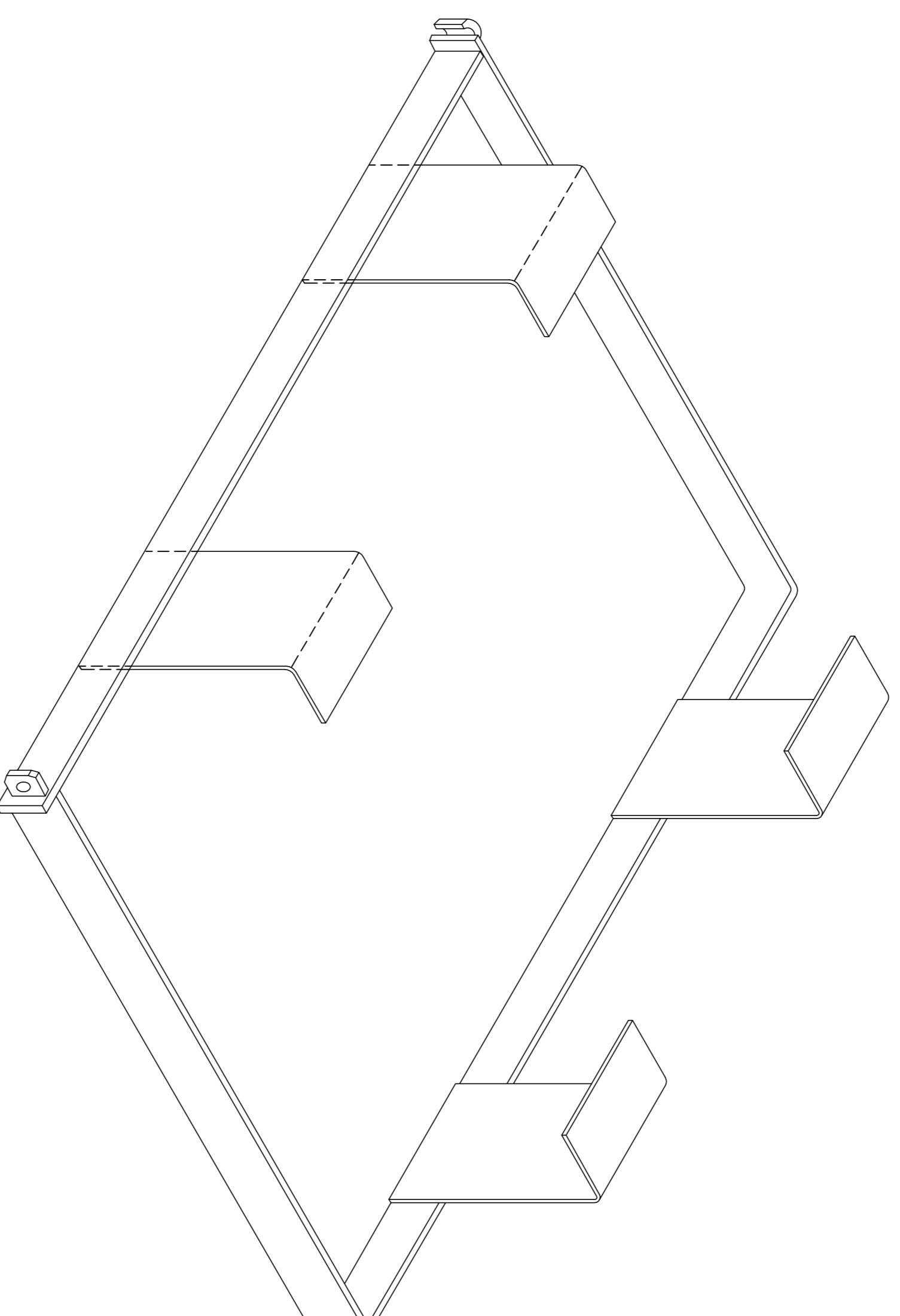


- Notes.
1. HA Security strap stock code number:- 06 7600 01
  2. A 4-pin minimum, weather resistant padlock shall be used as RS Components Ltd. Order Code 285-2689 or similar. After installation initial lubricate shall be applied as manufacturers recommendation.



**SECURITY STRAP FITTING ARRANGEMENT  
TO CABINET 600**



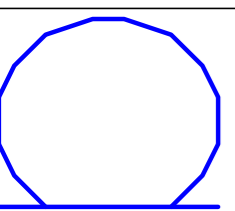
**SECURITY STRAP DETAIL**

This drawing was generated on computer and must not be manually updated

TITLE

**TYPICAL HA TYPE 600 CABINET DOOR SECURITY STRAP**

**Note:**  
The NDX series of drawings represents non site specific installations of standard equipment and site layouts.



ORIGINAL DRAWING SIZE: 297 X 420		
ALL DIMENSIONS ARE IN MM		
TOLERANCE +- 1 UNLESS OTHERWISE STATED		
THIRD ANGLE PROJECTION DO NOT SCALE		
<b>ISSUE</b>	<b>AMENDMENTS</b>	<b>APPD/DATE</b>
DRN C.S.G.	CHKD B.D.	SCALE
DATE 25.09.01	DATE 29.09.01	N.T.S.
DRG. NO. NDX1002-00d†		SHT. NO. 4 of 17
C	UPDATED SEE REV. SHT.	BD 30/11/09
B	REDRAWN	BD 13/10/09
A	FOR INFORMATION	BD 04/02/02