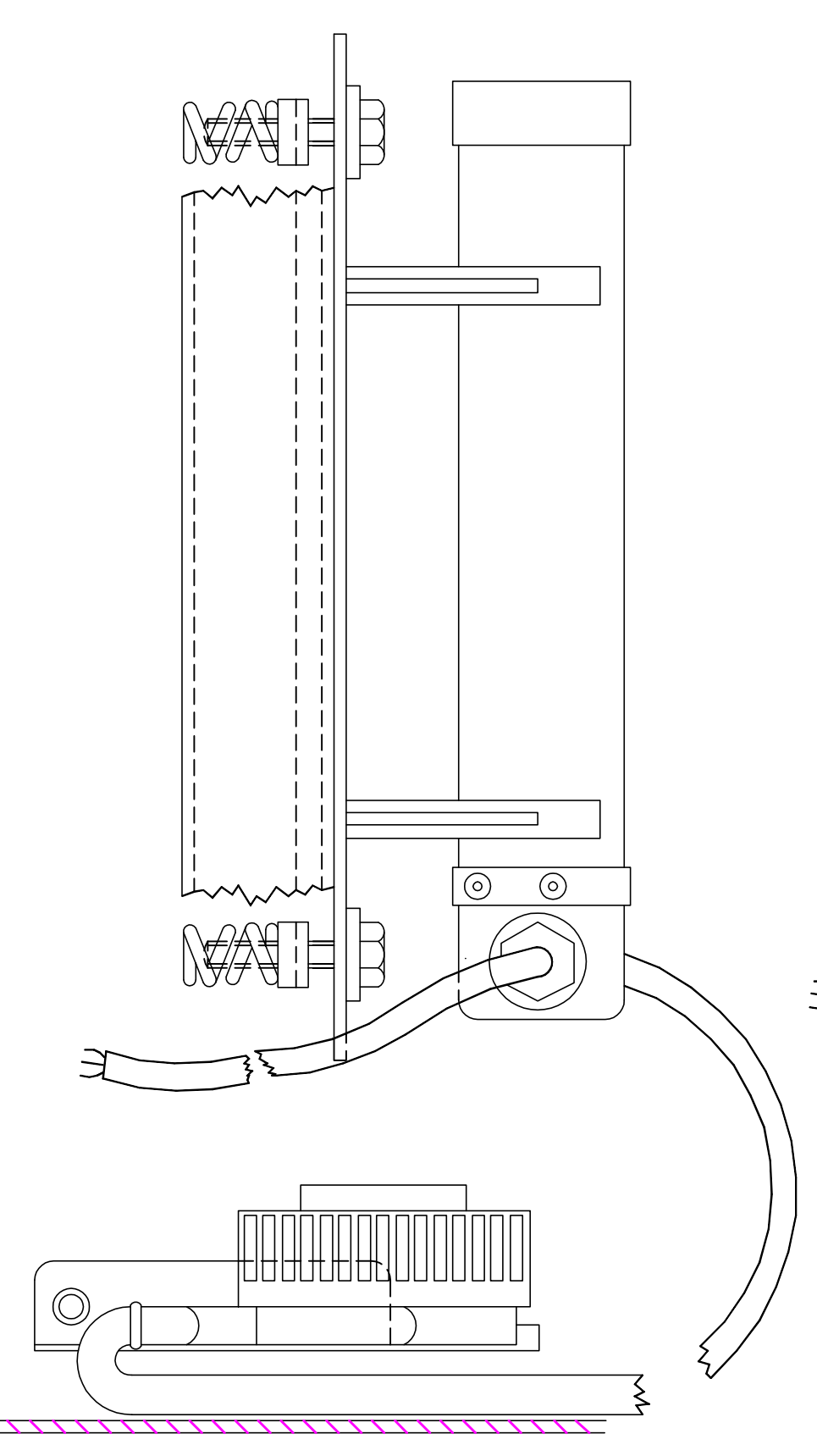


- NOTES**
1. THE HEATER IS TO BE FITTED VERTICALLY TO THE RAIL SITUATED DIRECTLY BEHIND THE CABINET 600 PDU THE THERMOSTAT IS TO BE FITTED TO EXISTING FRONT LEFT LID BOLT (VIEW 'A' - 'A').
  2. THE HEATER IS TO BE TERMINATED IN THE PDU (6A MCB) AND THE CIRCUIT IS TO BE IDENTIFIED.
  3. CABLE ENDS TO BE TINNED PRIOR TO TERMINATION.
  4. THE HEATER AND THERMOSTAT ARE REQUIRED TO BE INSTALLED PERMANENTLY TO CABINETS CONTAINING MAINTAINED EQUIPMENT UNLESS OTHERWISE SPECIFIED BY THE OVERSEEING ORGANISATION.
  5. THERMOSTATS TO BE SET AT 12 C.

6. HEATERS ARE NORMALLY TO BE FITTED INTO CABINET 600'S WHICH HAVE PDU'S WITH A 30mA RCD. PROTECTION COVERING ALL THE OUTLETS, OR A 30mA RCD FITTED IN THE INTERFACE BETWEEN THE ELECTRICITY BOARD SUPPLY AND THE CABINET 600.
7. ALL CABLES ROUTED WITHIN THE CABINET SHALL BE SUITABLY RETAINED. UNDER NO CIRCUMSTANCES SHALL CABLES COME INTO CONTACT WITH THE SURFACES OF THE HEATERS. MAINS AND SIGNAL CABLES SHALL NOT BE INCLUDED IN THE SAME LOOM OR HELD BY THE SAME RETAINER.
8. HEATERS AND THERMOSTAT ARE TO BE REMOVED FROM CABINETS AT SITE WHEN THE ELECTRICITY SUPPLY IS NOT READILY AVAILABLE.



This drawing was generated on computer and must not be manually updated

TITLE

**TYPICAL HA TYPE 600 CABINET THERMOSTAT & HEATER TYPE 120**

**Note:**  
The NDX series of drawings represents non site specific installations of standard equipment and site layouts.

ORIGINAL DRAWING SIZE: 297 x 420	DRN	C.S.G.	CHKD	B.D.	SCALE
ALL DIMENSIONS ARE IN MM	DATE	15.01.03	DATE	19.01.03	N.T.S.
TOLERANCE +/- 1 UNLESS OTHERWISE STATED	DRG. NO.	NDX1002-00d		SHT. NO.	5 of 17
THIRD ANGLE PROJECTION DO NOT SCALE	ISSUE	AMENDMENTS		APPD/DATE	
	C	REDRAWN			BD 13/10/09
	B	SEE REVISION SHEET			CF 05/02/06
	D	UPDATED SEE REV. SHT.			BD 30/11/09