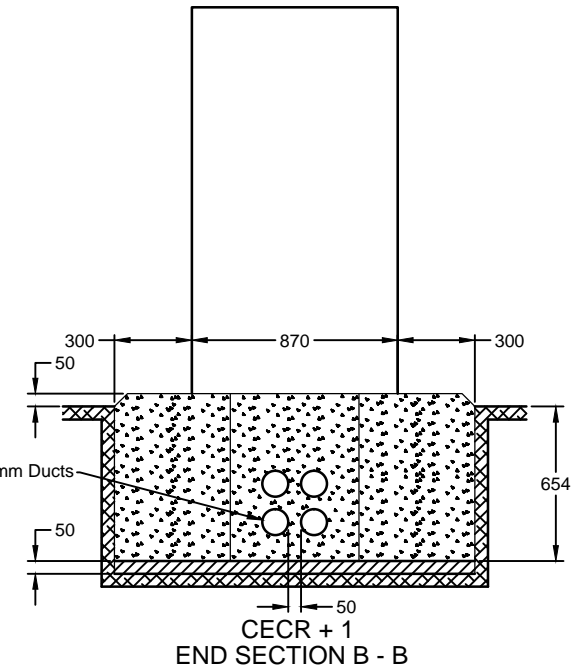
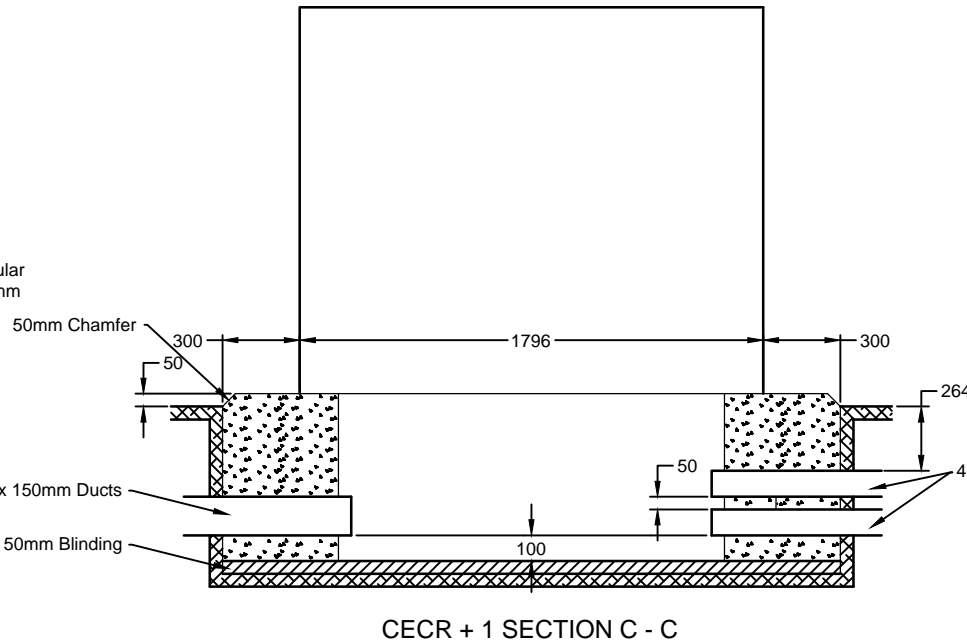
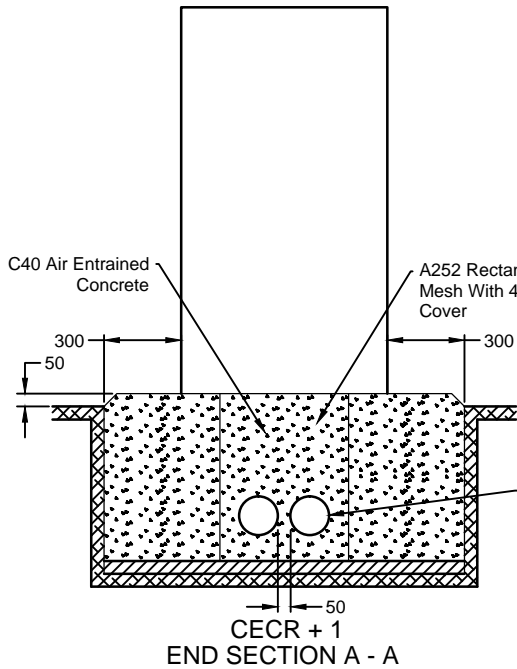


NOTES

- External ID Labels etc. shall be as NDX1002-06 sheets 1 and 2.
- Ducts shall be laid in accordance with NDX1063-00, local ducts shall be routed such as to be continuously protected by concrete plinths and walkways. Where ducts are required to have 400mm or greater cover depth of the foundation void shall be increased to allow the ducts to leave at the correct depth through the appropriate side wall. All ducts shall be set into the side wall with a minimum of 100mm clearance between the void base and the lowest point of the duct.
- Where conditions preclude the use of the porous base as shown, a correctly designed and constructed alternative base shall be installed with a soakaway or other appropriate drainage arrangement.



Note:
The NDX series of drawings represents non site specific installations of standard equipment and site layouts.

TITLE

This drawing was generated on computer and must not be manually updated

TYPICAL CECR + 1 CABINET - FOUNDATIONS / PLINTH

ORIGINAL DRAWING SIZE: 297 x 420
ALL DIMENSIONS ARE IN MM
TOLERANCE ± 1 UNLESS OTHERWISE STATED
THIRD ANGLE PROJECTION DO NOT SCALE

1	FIRST ISSUE	BD 03/09/10
ISSUE	AMENDMENTS	APPD/DATE
DRN	C.S.G.	CHKD B.D.
DATE	01.09.10	DATE 03.09.10
DRG. NO.	NDX1002-10dt	
	SHT. NO.	1 of 2