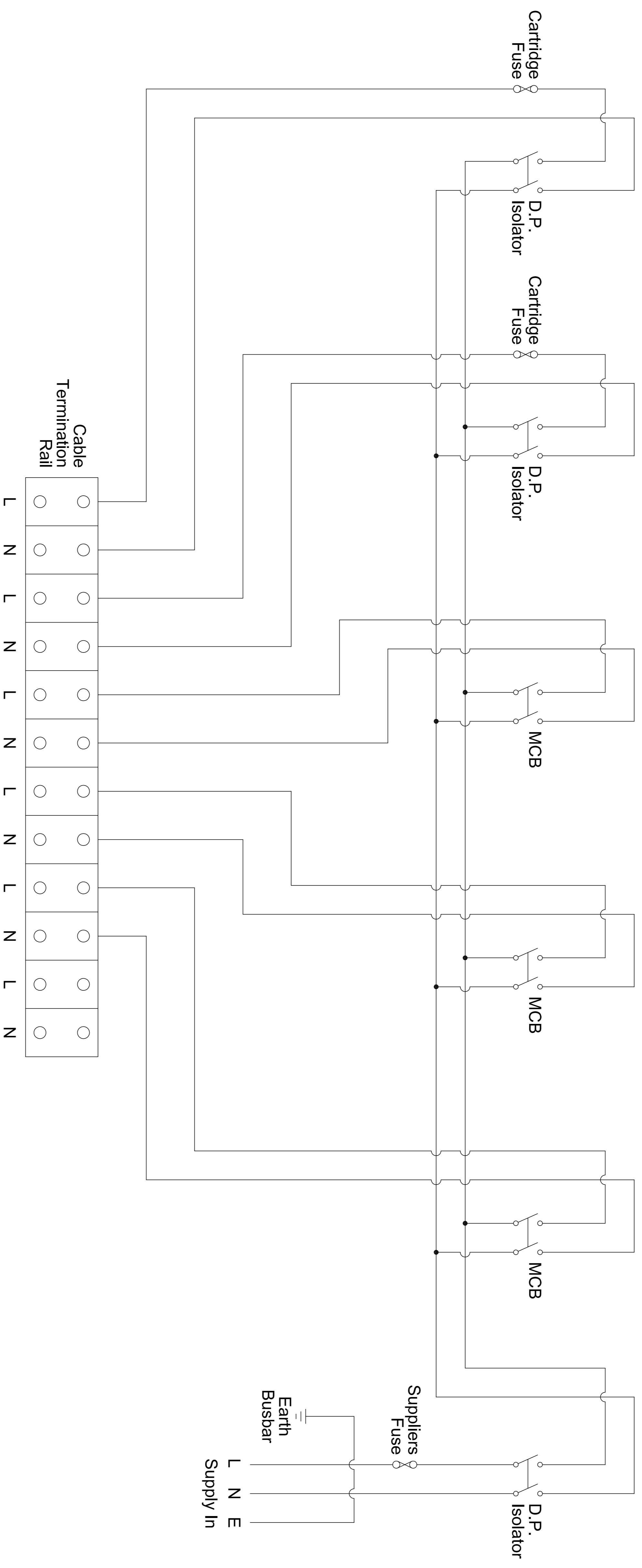


NOTE
 All equipment rating to be obtained from Order Package
 Configuration Sheet (OPCS)



This drawing was generated on computer and must not be manually updated

Note:
 The NDX series of drawings represents
 non site specific installations of standard
 equipment and site layouts.

TITLE

**TYPICAL CIRCUIT DIAGRAM OF TERMINATION PILLAR /
 TRAFFIC EQUIPMENT TERMINATION PILLAR (TP / TEDP)**

ORIGINAL DRAWING SIZE: 297 x 420
 ALL DIMENSIONS ARE IN MM
 TOLERANCE +- 1 UNLESS OTHERWISE STATED
 THIRD ANGLE PROJECTION DO NOT SCALE

ISSUE	AMENDMENTS	APPD/DATE
A	REDRAWN	BD 13/10/09
1	FIRST ISSUE	SM 10/03/08

DRN	S.D.	CHKD	S.M.	SCALE
DATE	29.02.08	DATE	29.02.08	N.T.S.

DRG. NO.	NDX1011-07Cd	SHT. NO.
		4 of 4