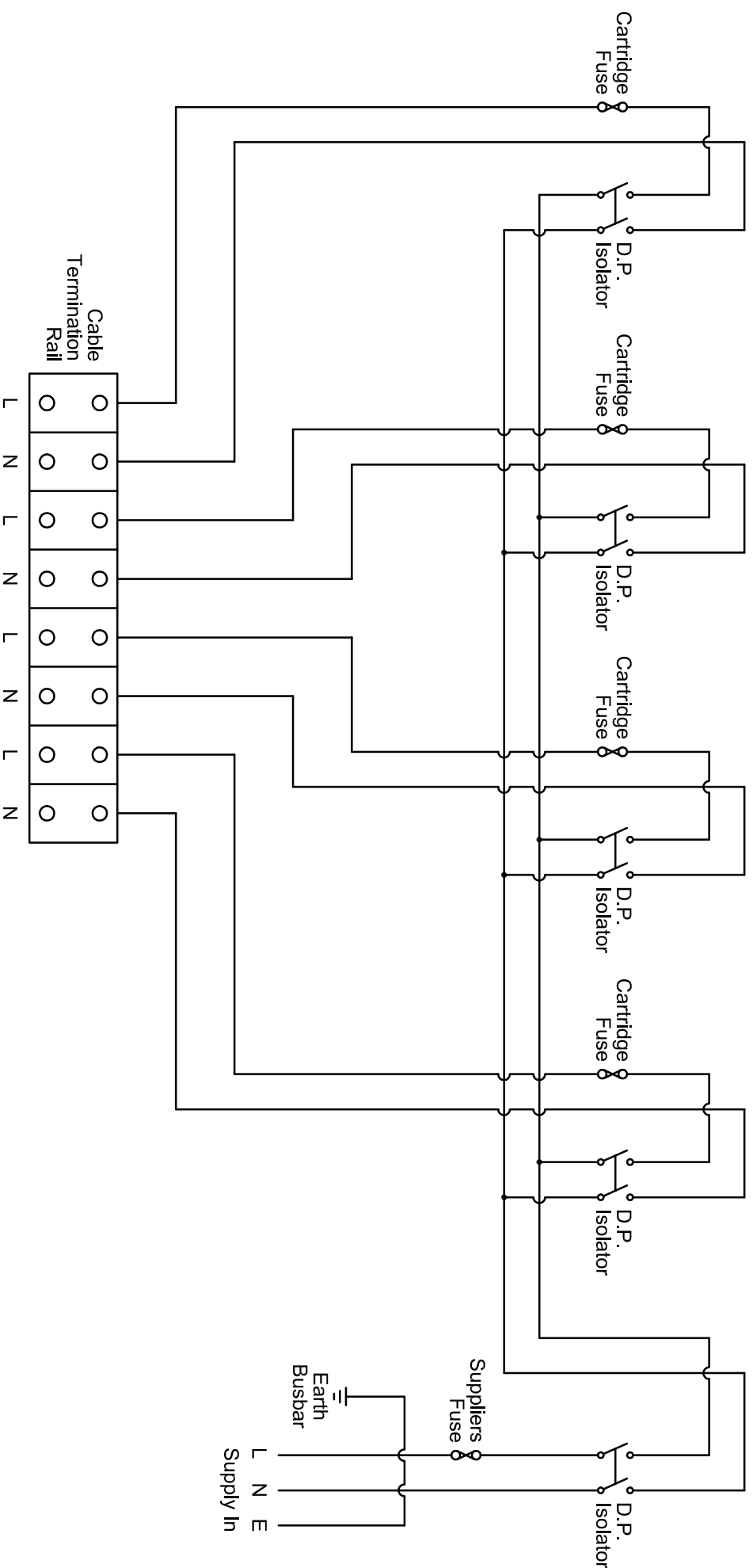


NOTE

All equipment rating to be obtained from Order Package Configuration Sheet (OPCS)



This drawing was generated on computer and must not be manually updated

TYPICAL CIRCUIT DIAGRAM OF TERMINATION PILLAR (TP)



Note:
The NDX series of drawings represents non site specific installations of standard equipment and site layouts.

TITLE		ORIGINAL DRAWING SIZE: 297 x 420	
TOLERANCE ± 1 UNLESS OTHERWISE STATED		ALL DIMENSIONS ARE IN MM	
THIRD ANGLE PROJECTION DO NOT SCALE			
ISSUE	AMENDMENTS	APPD/DATE	SCALE
1	FIRST ISSUE	SM 10/03/08	N.T.S.
DRN S.D.	CHKD S.M.	DATE	DATE
DRG. NO. NDX1011-06cd		29.02.08	29.02.08
			SHT. NO. 4 of 4
			BD 13/10/09
			SM 10/03/08