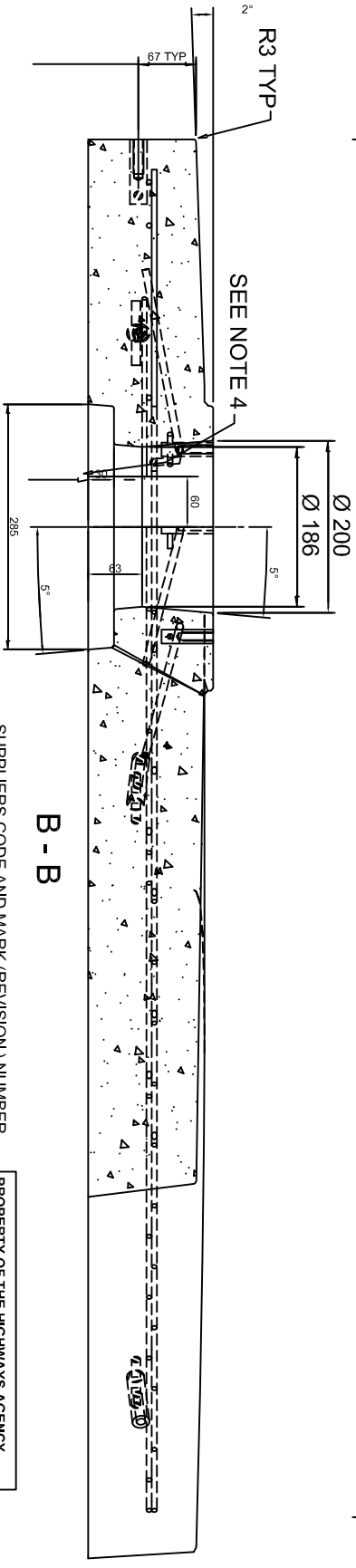
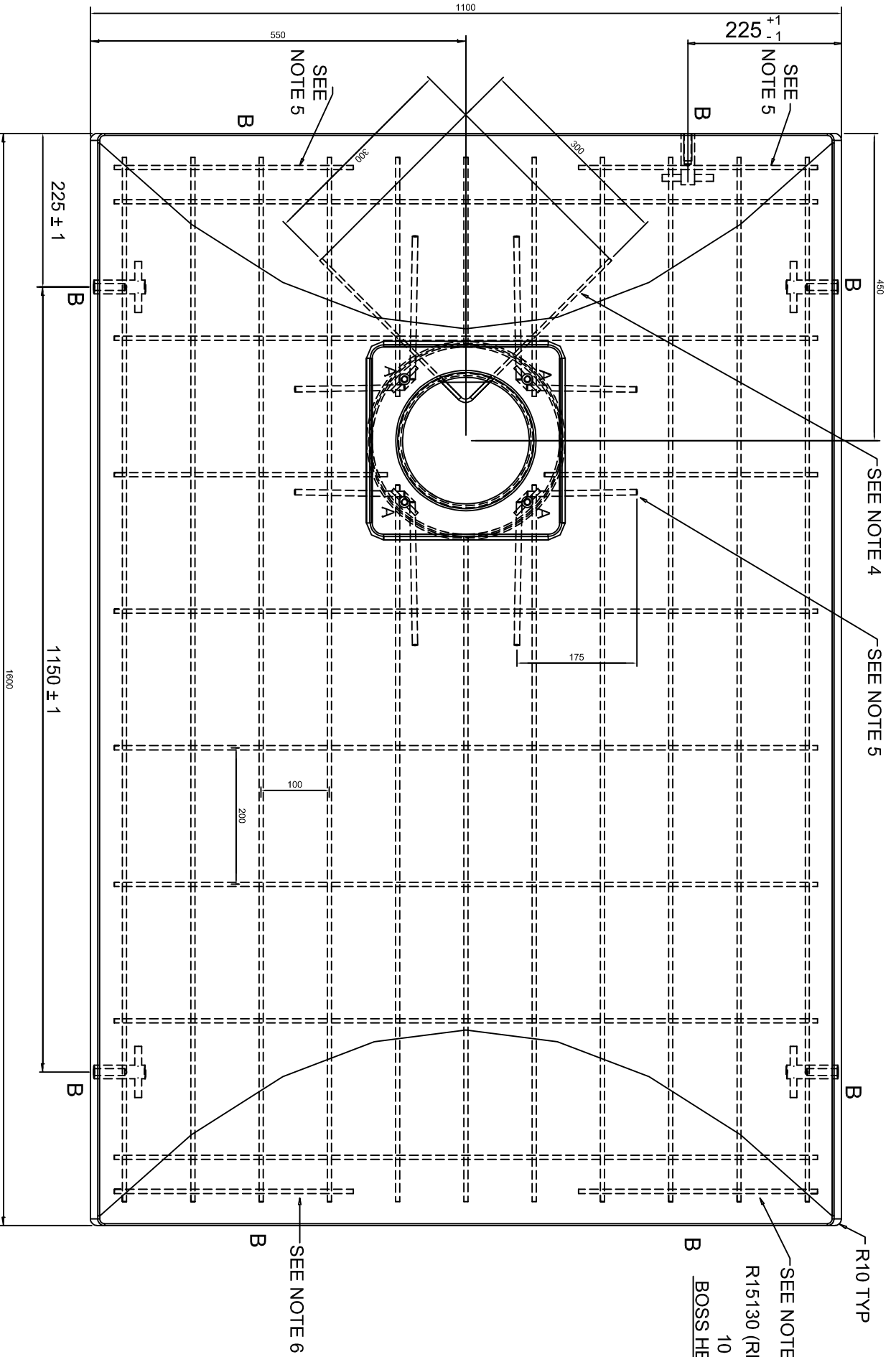


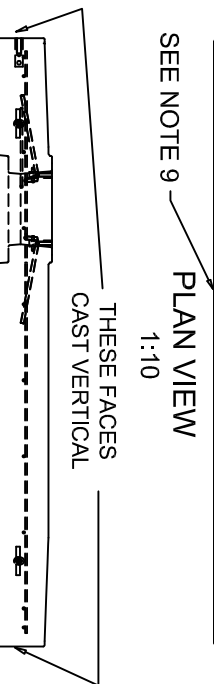
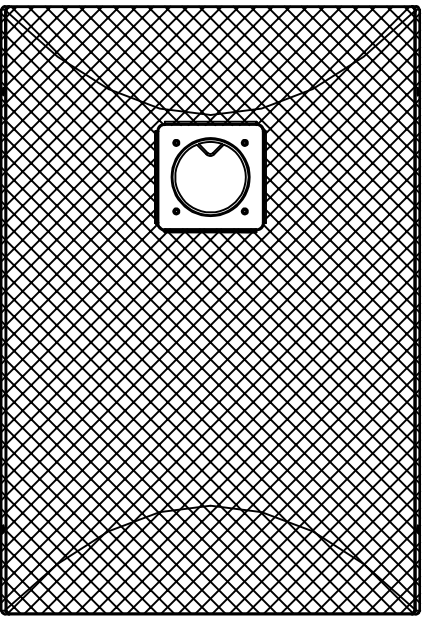
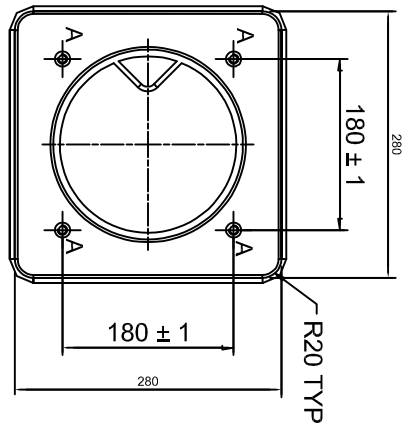
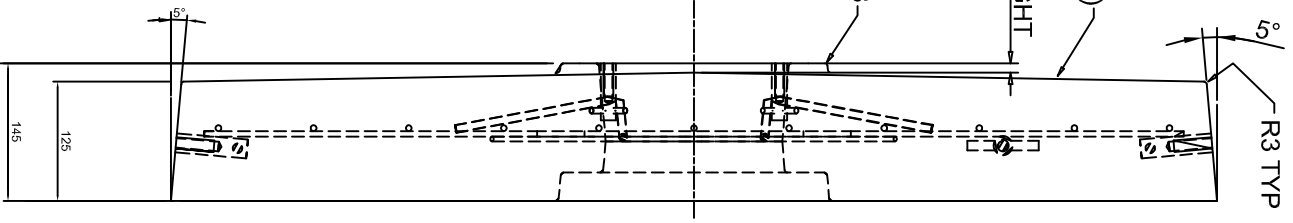
Note:
The NDX series of drawings represents non site specific installations of standard equipment and site layouts.



B - B

SUPPLIERS CODE AND MARK (REVISION) NUMBER
PROPERTY OF THE HIGHWAYS AGENCY
MANUFACTURES SERIAL NUMBER
JELU01/1 2 3 4 5 6 7 8 9
IF REQUIRED BY MOULD TOOL SUPPLIER
XXXXXX
HA STORES CODE FOR MOULD TOOL
ITEM-0000-0-000
CONTRACT NUMBER
1/61
TOTAL MOULD TOOL WEIGHT XXXKg
WEIGHT TO BE DETERMINED AT MANUFACTURE

DETAIL OF MOULD TOOL ENGRAVING OR LABEL



- NOTES**
1. DRAFT 5° UNLESS NOTED OTHERWISE.
 2. MATERIAL: CONCRETE GRADE C32/C40 AIR ENTRAINED, COLOUR NATURAL, MAX. AGGREGATE SIZE 20mm, WATER/CEMENT RATIO = 0.45, MIN. CEMENT CONTENT 360 Kg/m³, MAX. CEMENT CONTENT 550Kg/m³.
 3. REINFORCING - B503 STRUCTURAL MESH, GRADE 460, TYPE 2 CONFORMING TO BS 4482.
 4. Ø10.0 GALVANISED REINFORCING BAR (1 OFF) POSITIONED AS SHOWN TO BE HOT DIPPED GALVANISED TO BS EN ISO 1461:1999.
 5. Ø8.0 LOOSE BARS (4 OFF) ROUND MILD STEEL, GRADE 250, CONFORMING TO BS 4449 POSITIONED AS SHOWN AROUND BOLT SOCKETS.
 6. Ø8.0 LOOSE BARS (8 OFF) ROUND MILD STEEL, GRADE 250, CONFORMING TO BS 4449 POSITIONED AS SHOWN AROUND BOLT SOCKETS.
 7. SOCKETS A, 4 OFF - FIXING CENTRE LTD M10 X 16 X 65 TYPE SSR CIS-P GRADE 304 STAINLESS STEEL CAST IN SOCKET WITH CROSS PIN OR EQUIVALENT. SOCKETS B: 5 OFF - FIXING CENTRE LTD M12 X 20 X 75 TYPE SSR CIS-P GRADE 304 STAINLESS STEEL CAST IN SOCKET WITH CROSS PIN OR EQUIVALENT.
 8. SOCKETS TO HAVE PLASTIC CAPS FITTED.
 9. SURFACE FINISH GENERALLY BS 8170:PART 1: 1985 TYPE B, SURFACE INDICATED TO HAVE EXPOSED AGGREGATE BY ETCH AND WASH-OFF METHOD.
 10. PLINTHS TO BE SUPPLIED IN PAIRS ON PALLET SEPARATED BY TIMBER LATHS.

This drawing was generated on computer and must not be manually updated

TITLE		ORIGINAL DRAWING SIZE: 297 x 420	
TYPICAL ERT 354 STANDARD CONCRETE PLINTH HAND RAIL		ALL DIMENSIONS ARE IN MM	
		TOLERANCE ± 1 UNLESS OTHERWISE STATED	
		THIRD ANGLE PROJECTION DO NOT SCALE	
ISSUE	AMENDMENTS	APPD/DATE	SCALE
C	UPDATED SEE REV. SHIT.	BD 30/1/09	
B	REDRAWN	BD 13/10/09	
A	INITIAL ISSUE	-	
DRN	D.B.	CHKD	C.L.
DATE	---	DATE	---
DRG. NO.	NDX1049-02dt	SHT. NO.	14 of 18