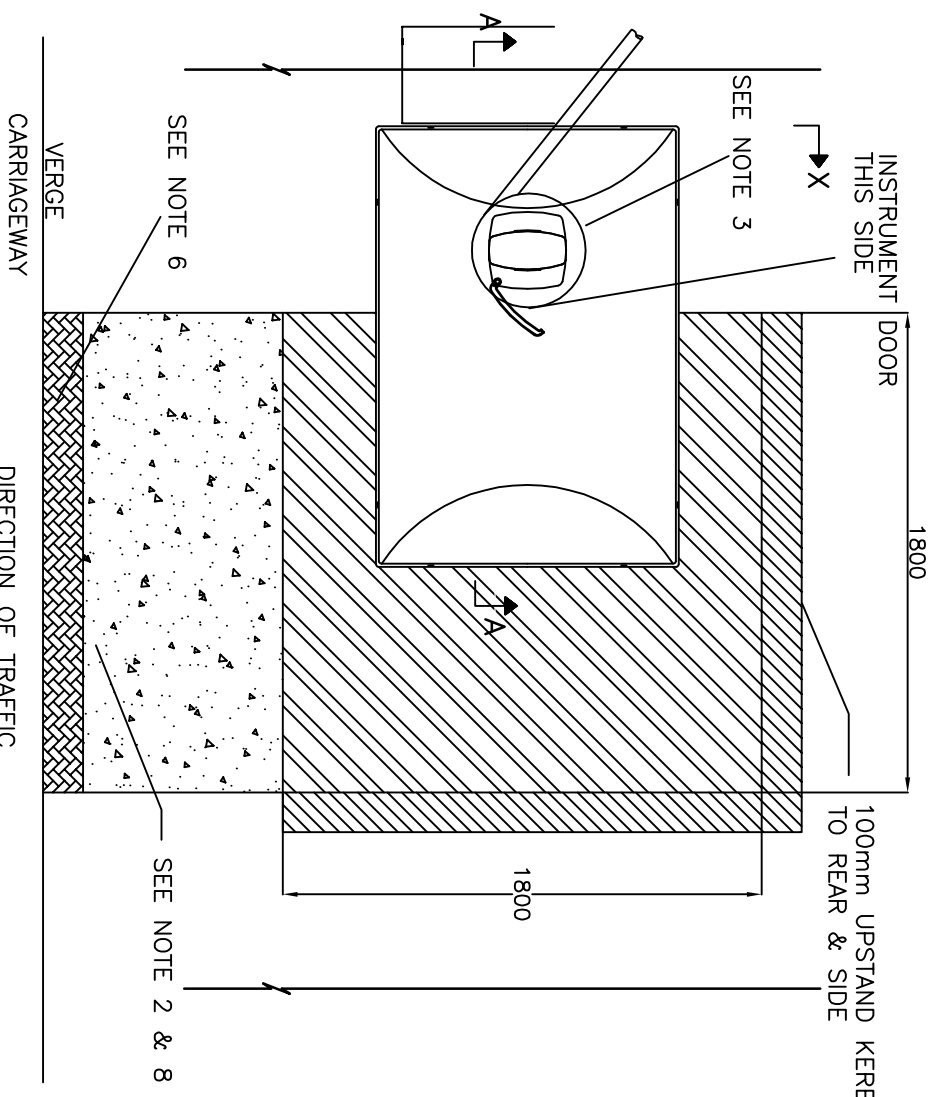
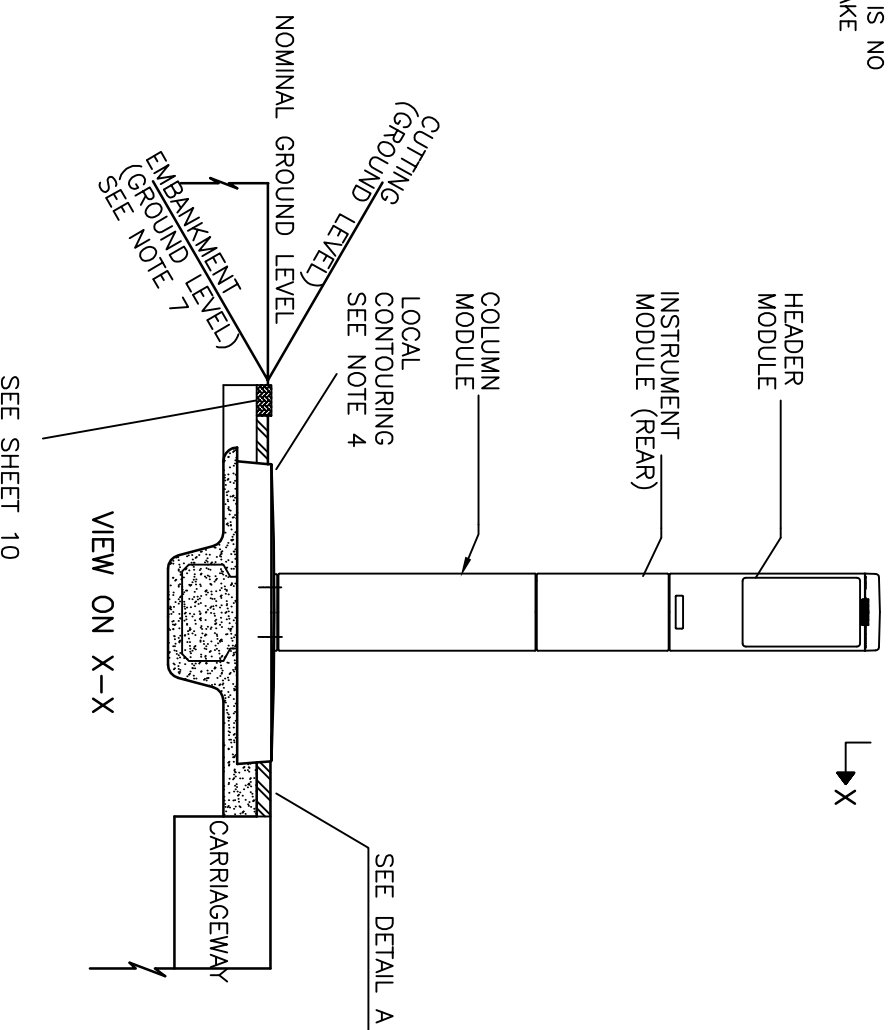
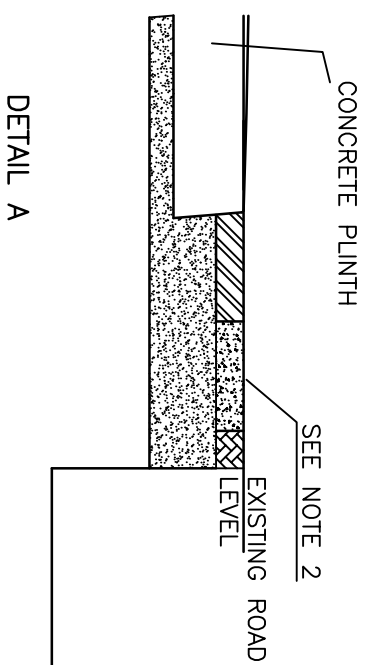
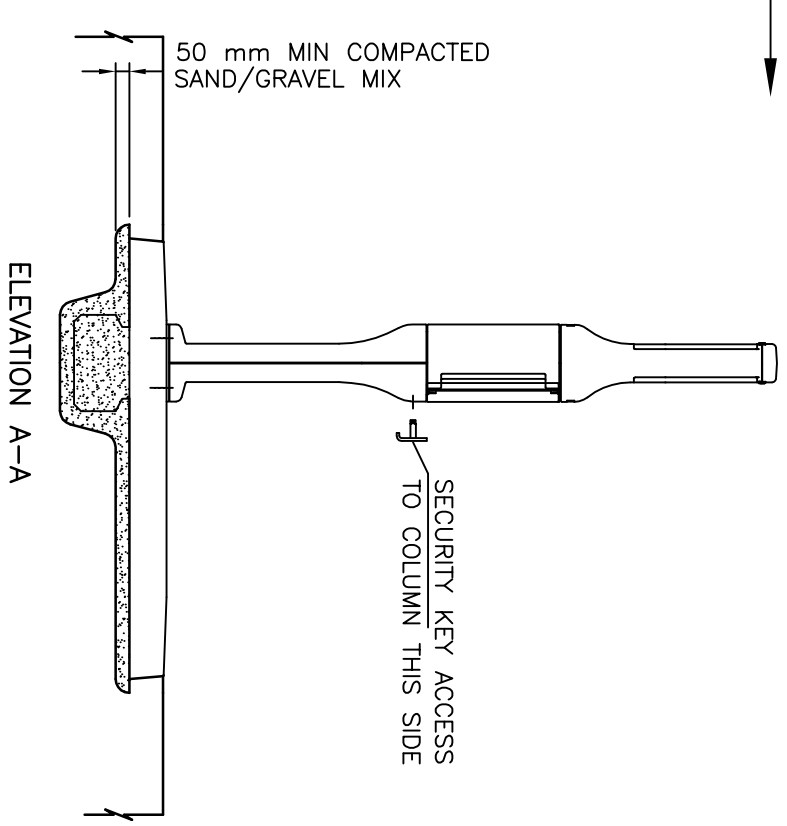


NOTES

1. SEE GENERAL INSTALLATION NOTES ON DRAWING NDX1049-02no_01
2. THE LEVEL OF THE CONCRETE PLINTH SHALL ENSURE THAT THE ACCESS GRADIENT IS NO GREATER THAN 8% OR LESS THAN 2%. (WHERE AVAILABLE VERGE WIDTH IS LIMITED THE PLINTH AREA MAY NEED TO BE SET AT A LEVEL LOWER THAN THE EXISTING GROUND LEVEL. IN SUCH CASES SUITABLE DRAINAGE FACILITIES MUST BE PROVIDED TO AVOID PONDING).
3. ROTATE CABLE PIT MouldING NDX 1049-02dt_16 TO ALIGN WITH INCOMING DUCT. FOR RETRO-FIT INSTALLATIONS RE-USING THE EXISTING CABLE, ANY SPARE CABLE SHALL BE RETAINED IN THE CABLE PIT MouldING. FOR NEW INSTALLATIONS, OR OTHERWISE WHERE NEW CABLE IS BEING INSTALLED, A MINIMUM 3500mm LENGTH RE-MAKE LOOP SHALL BE RETAINED IN THE CABLE PIT MouldING. FOR FURTHER CABLING DETAILS SEE DRAWING NDX1049-02no_01 NOTES
18. THE CABLE PIT MouldING AND ASSOCIATED DUCT IS NOT USED AT GSM VARIANT SITES.
4. LOCAL CONTOURING TO BE PROFILED DOWNWARDS TO A LEVEL 12mm BELOW THE EDGES OF CONCRETE PLINTH.
5. DUCT TO EXTEND MINIMUM OF 200mm BEYOND EDGE OF PLINTH (FOR SITES WITHOUT EXISTING DUCTS).
6. DROPPED KERB WITH TACTILE BLISTER PAVING (TONAL CONTRAST, EXCLUDING RED)
7. WHEN INSTALLED ON AN EMBANKMENT, A HANDRAIL MAY BE REQUIRED (NDX 1049-02dt_13). ADVICE AS TO WHETHER A HANDRAIL IS REQUIRED SHALL BE SOUGHT FROM THE OVERSEEING ORGANISATION.
8. DISTANCE FROM THE CARRIAGEWAY TO BE AS PER CENTRE OF EXISTING POST IN THE CASE OF EXISTING INSTALLATIONS SUBJECT TO MINIMUM DIMENSION AVAILABLE FOR RAMP ENSURING GRADIENT IS NO GREATER THAN 8%) AND FOR NEW INSTALLATION SITE SHALL TAKE ACCOUNT OF SITE FACTORS INCLUDING (AS APPLICABLE)
 - AVAILABLE CABLE LENGTH
 - WIDTH OF VERGE
 - MINIMISING NEED FOR REPROFILING
 - AVOIDING NEED FOR RETAINING WALL
 - ENSURING RAMP GRADIENT IS NO GREATER THAN 8%



| | |
|--------------------|--|
| [Hatched Pattern] | 100mm UPSTAND KERB |
| [Diagonal Pattern] | LEVELLED HARD STANDING |
| [Stippled Pattern] | RAMP SURFACE (GRADIENT 2-8%) |
| [Blister Pattern] | TACTILE BLISTER PAVING (IF APPLICABLE) |



Note:
The NDX series of drawings represents non site specific installations of standard equipment and site layouts.

TITLE
TYPICAL ERT 354 VERGE, NO SAFETY FENCE, NO KERB - TYPE A, N

This drawing was generated on computer and must not be manually updated

| | | | | | | |
|--|----------|-----------------------|------|------|------------|-----------|
| ORIGINAL DRAWING SIZE: 297 x 420 | DRN | A.N.O. | CHKD | A.W. | AMENDMENTS | APPD/DATE |
| ALL DIMENSIONS ARE IN MM | DATE | --- | DATE | --- | | SCALE |
| TOLERANCE +- 1 UNLESS OTHERWISE STATED | DRG. NO. | NDX1049-02ga | | | | N.T.S. |
| THIRD ANGLE PROJECTION DO NOT SCALE | ISSUE | | | | | SHT. NO. |
| | C | UPDATED SEE REV. SHT. | | | | 2 of 18 |
| | B | REDRAWN | | | | |
| | A | INITIAL ISSUE | | | | |