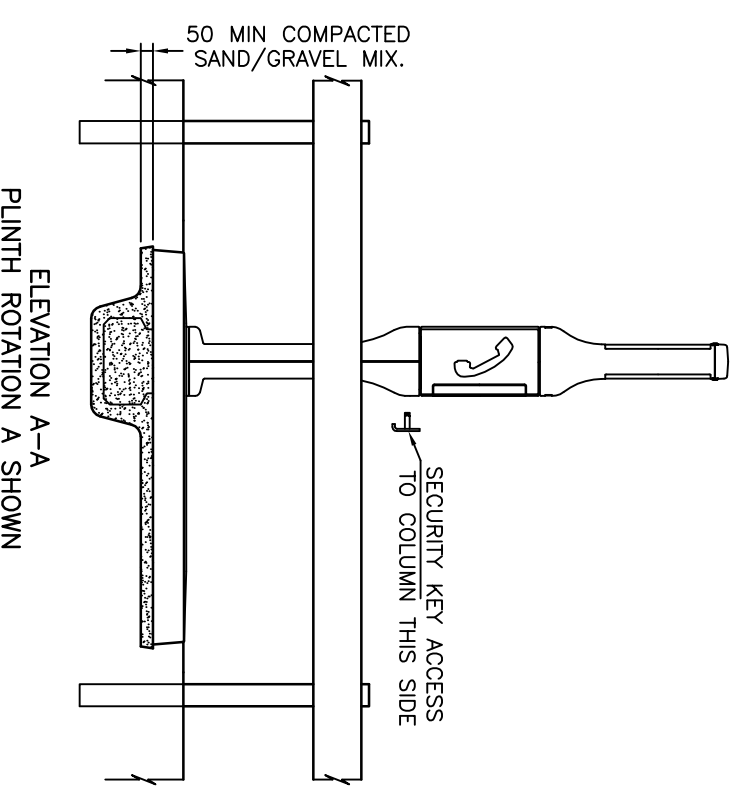
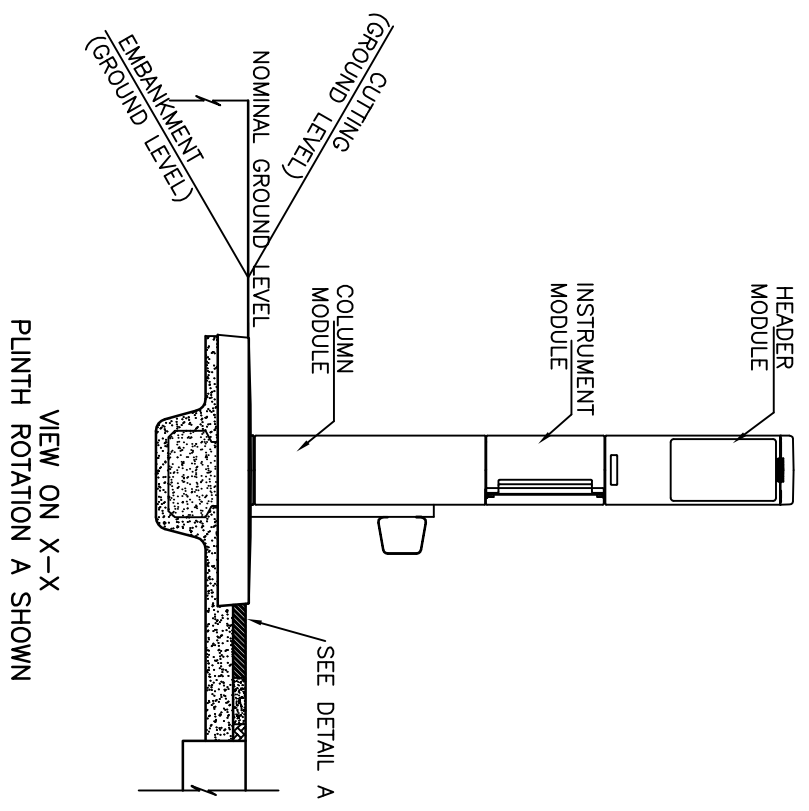
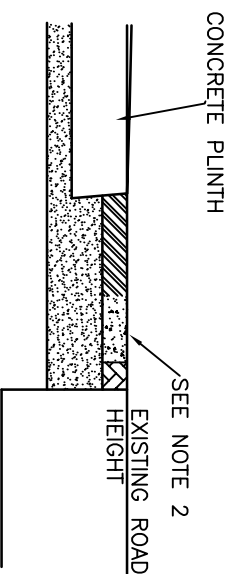
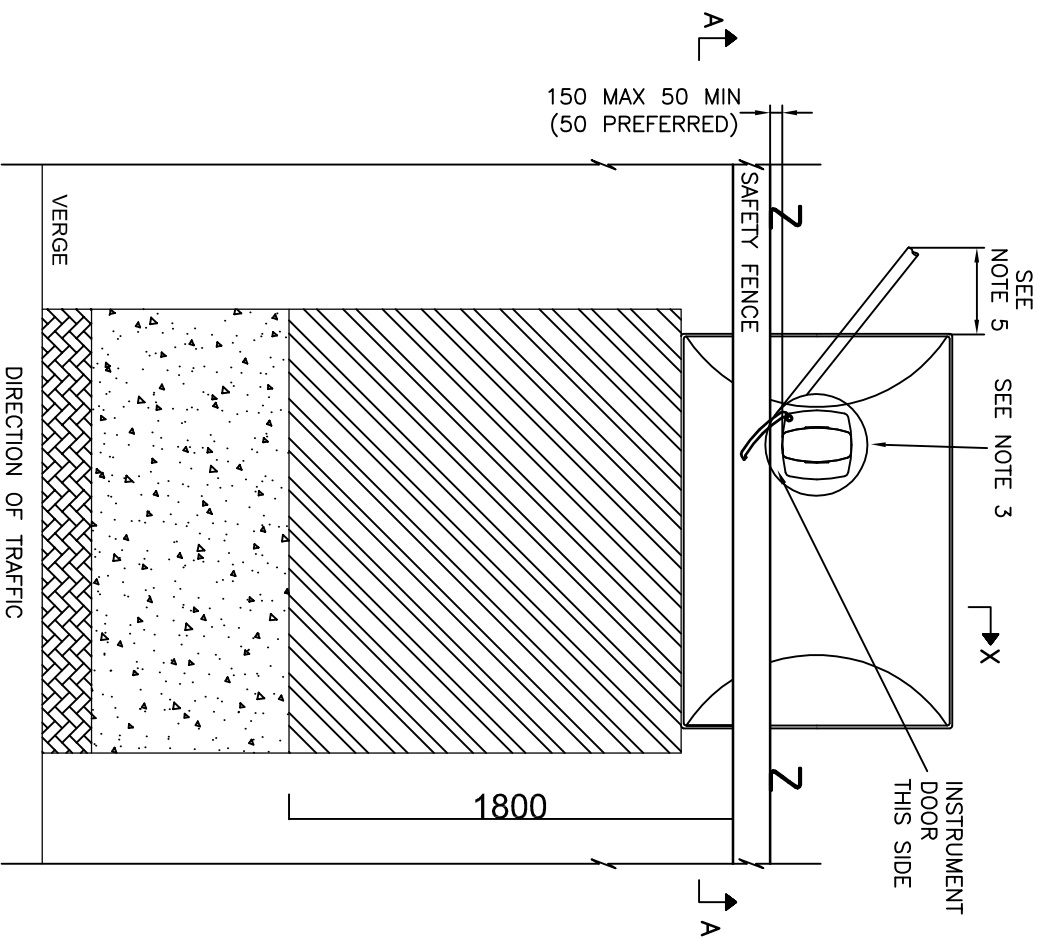


- NOTES
1. SEE GENERAL INSTALLATION NOTES ON DRAWING NDX1049-02no_01
 2. THE LEVEL OF THE CONCRETE PLINTH SHALL ENSURE THAT THE ACCESS GRADIENT IS NO GREATER THAN 8% OR LESS THAN 2%.
 3. SEE NOTE 3 ON DRAWING NDX1049-02ga_02
 4. LOCAL CONTOURING TO BE PROFILED DOWNWARDS TO A LEVEL 12mm BELOW THE EDGES OF CONCRETE PLINTH.
 5. DUCT TO EXTEND MINIMUM OF 200mm BEYOND EDGE OF PLINTH (FOR SITES WITHOUT EXISTING DUCTS).
 6. 50mm PAVING OR EQUIVALENT HARDENED SURFACE (ON 75mm MINIMUM SAND/GRAVEL MIX AND THEN COMPACTED). A CONCRETE OR ASPHALT SURFACE SHALL BE LAID AT LAYBY SITES WITH RISK OF HEAVY VEHICLE OVERRUN.



LEVELLED HARD STANDING
RAMP SURFACE(GRAIDENT 2-8%)
TACTILE BLISTER PAVING(IF APPLICABLE)



Note:
The NDX series of drawings represents non site specific installations of standard equipment and site layouts.

TITLE
This drawing was generated on computer and must not be manually updated
TYPICAL ERT 354 VERGE WITH SAFETY FENCE, NO KERB - TYPE C, P

ORIGINAL DRAWING SIZE: 297 x 420	DRN	A.N.O.	CHKD	A.W.	APPD/DATE
ALL DIMENSIONS ARE IN MM	DATE	---	DATE	---	SCALE
TOLERANCE +/- 1 UNLESS OTHERWISE STATED	DRG. NO.	NDX1049-02ga			SHT. NO.
THIRD ANGLE PROJECTION DO NOT SCALE					5 of 18

C	GENERALLY UPDATED	-
E	UPDATED SEE REV. SHT.	BD 30/11/09
D	REDRAWN	BD 13/10/09