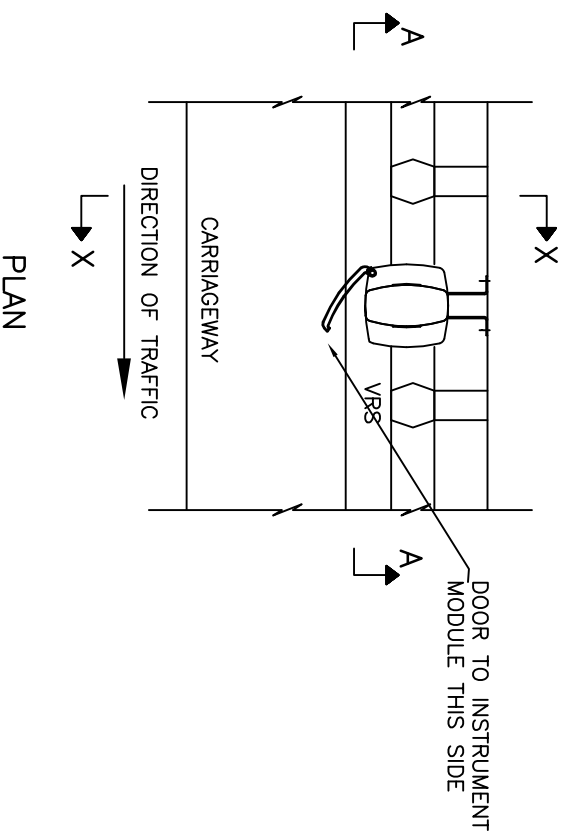
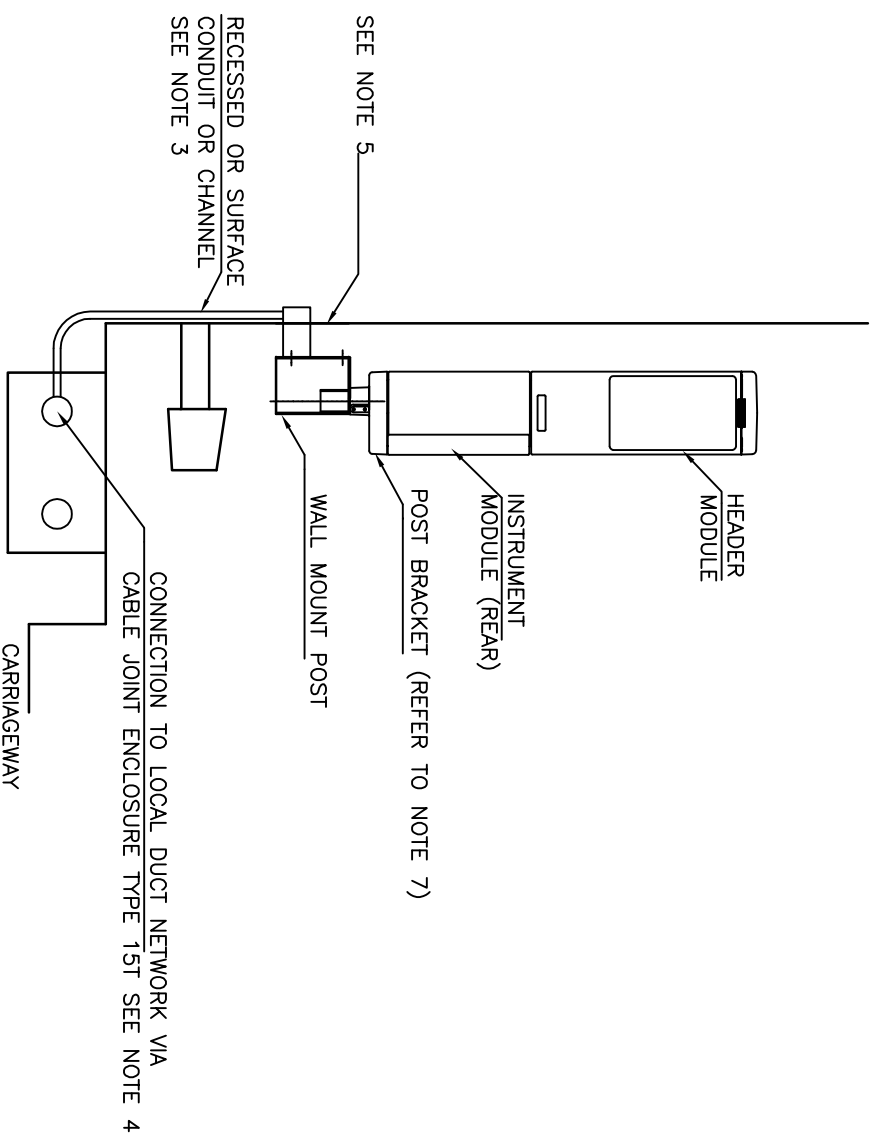


NOTES

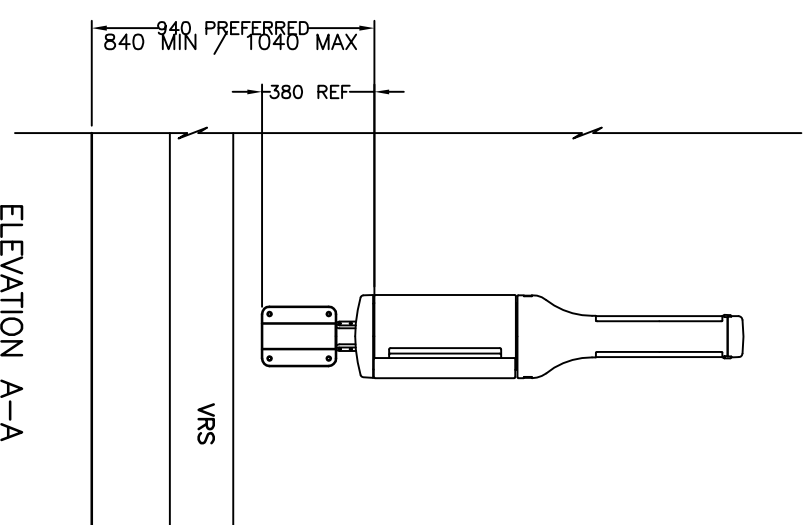
1. SEE GENERAL INSTALLATION NOTES ON DRAWING NDX1049-02no\_01
2. THIS INSTALLATION METHOD TO BE USED ONLY ON SITES WITHOUT KERB , SAFETY FENCE.
3. FOR RETRO-FIT INSTALLATIONS RE-USE EXISTING CABLES, DUCTING/CONDUIT, WHERE POSSIBLE.
4. INSTALL A JOINTING BOX COMPLETE WITH CABLE JOINT ENCLOSURE (CJE TYPE 15T) FOR NEW INSTALLATIONS.
5. WALL MOUNT POST TO BE FITTED WITH GALVANISED M12 FASTENERS INTO CHEMICAL FIX ANCHORS (S.A.S CHEMICAL ANCHOR SOCKET SSR-VDI M12x20x90mm OR EQUIVALENT).
6. OVERSEEING ORGANISATION APPROVAL SHALL BE OBTAINED BEFORE ANY WORK IS STARTED WHICH MAY RESULT IN ALTERATIONS TO, OR 'INTRUSION' INTO EXISTING STRUCTURES (E.G. DRILLING, CHANNELLING, KERB RE-PROFILING).
7. SUITABLE POST BRACKET TO BE PROVIDED TO ALLOW POSITIONING OF PHONE IN REQUIRED LOCATION RELATIVE TO SAFETY BARRIER WHERE RELEVANT.



PLAN



VIEW ON X-X



ELEVATION A-A

This drawing was generated on computer and must not be manually updated

TYPICAL ERT 354 WALL MOUNTING - TYPE G



Note:  
The NDX series of drawings represents non site specific installations of standard equipment and site layouts.

ORIGINAL DRAWING SIZE: 297 x 420		DRN	A.N.O.	CHKD	A.W.	SCALE
ALL DIMENSIONS ARE IN MM		DATE	--	DATE	--	N.T.S.
TOLERANCE +- 1 UNLESS OTHERWISE STATED		DRG. NO.	NDX1049-02ga		SHT. NO.	9 of 18
THIRD ANGLE PROJECTION DO NOT SCALE						
C	GENERALLY UPDATED					
E	UPDATED SEE REV. SHT.					
D	REDRAWN					
ISSUE		AMENDMENTS		APPD/DATE		