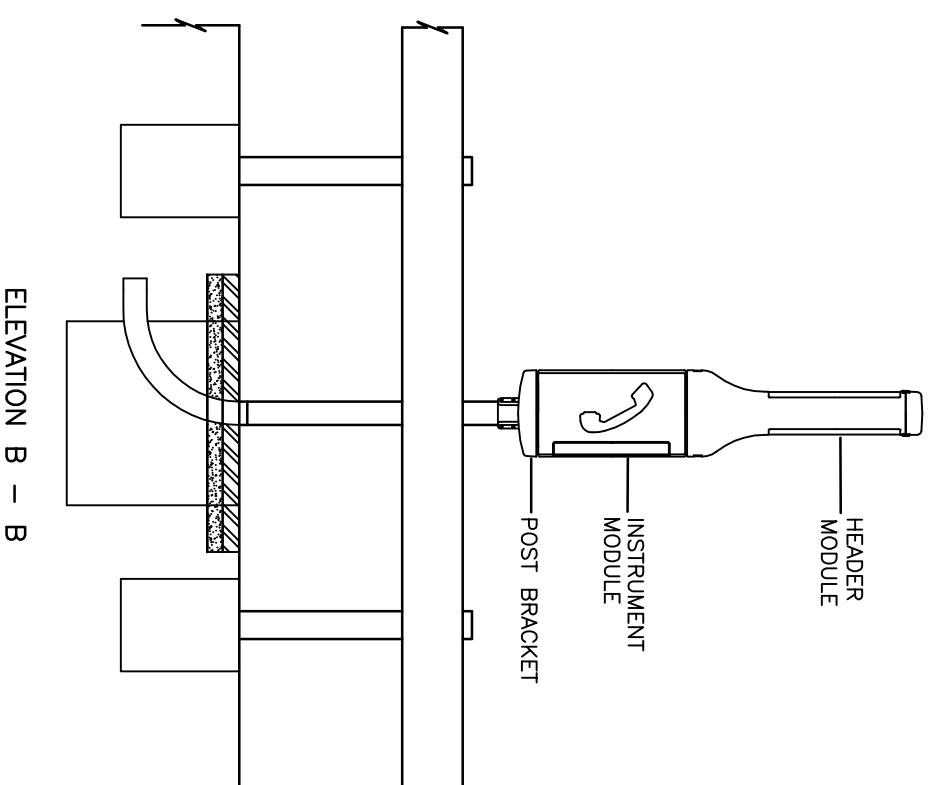
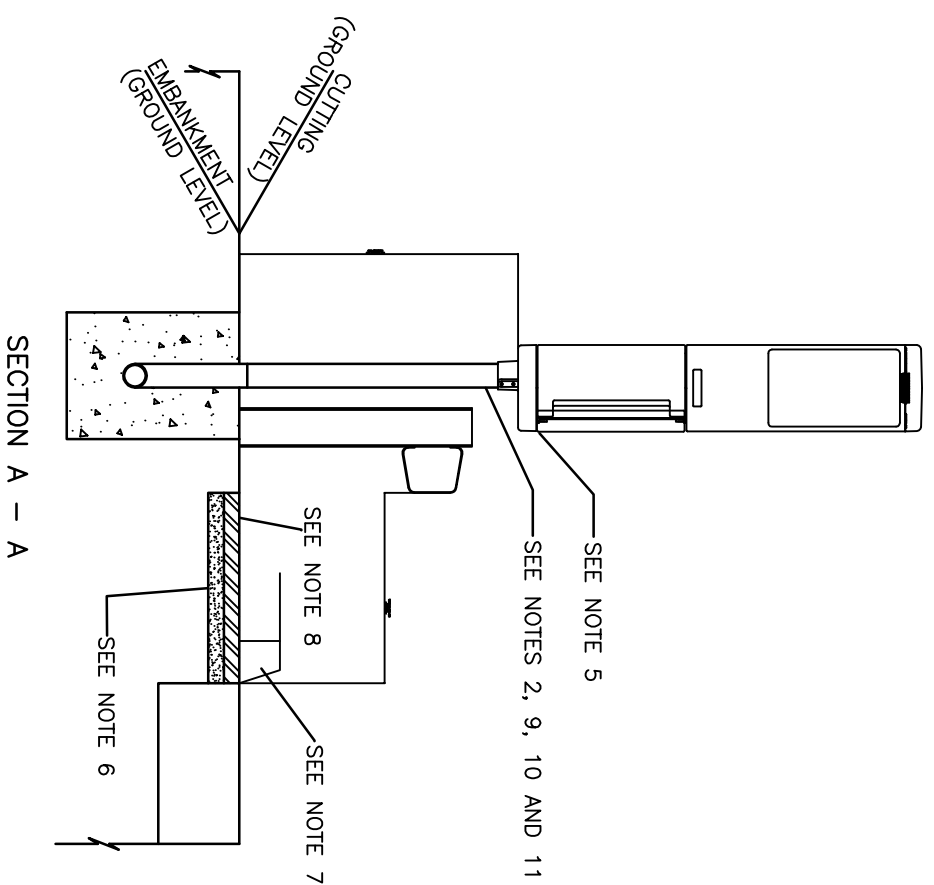


NOTES

1. SEE GENERAL INSTALLATION NOTES ON DRAWING NDX1049-02no_01.
2. CUT EXISTING POST 815mm MIN/1015mm MAX (915mm PREFERRED) ABOVE GROUND LEVEL.
3. TREAT CUT EDGE WITH ZINC RICH PAINT.
4. TERMINATE INCOMING CABLE WITH GLAND IN GLAND BRACKET BEFORE FITTING POST BRACKET TO POST.
5. POST BRACKET TO BE ORIENTATED ON POST WITHIN MIN AND MAX SET-BACK LIMITS. SEE DRAWING NDX1049-02no_01 FOR OFFSET OF UNIT FROM POST.
6. 50mm PAVING OR EQUIVALENT HARDENED SURFACE (ON 75mm MIN SAND/GRAVEL MIX AND THEN COMPACTED). A CONCRETE OR ASPHALT SURFACE SHALL BE LAID AT LAY-BY SITES WITH RISK OR HEAVY VEHICLE OVERRUN
7. EXISTING POST 71 TO BE ASSESSED FOR VERTICALITY SO THAT IT PERMITS THE NEW TELEPHONE TO BE ALIGNED WITHIN ±1° OF VERTICAL.
8. EXISTING POST 71 TO BE ASSESSED FOR WIND LOADING SUITABILITY.
9. EXISTING POST 71 TO BE PAINTED USING ORANGE 557 GLOSS PAINT TO BS 381C COMPATIBLE WITH THE EXISTING PAINT, AFTER MODIFICATIONS HAVE TAKEN PLACE.
10. SPARE CABLE FOR NCMS AND PSTN VARIANTS SHALL BE RETAINED IN NEARBY UNDERGROUND JOINT CHAMBER. FOR FURTHER DETAILS SEE DRAWING NDX1049-02no_01 NOTE 19.
11. WHEN INSTALLED ON AN EMBANKMENT, A HANDRAIL MAY BE REQUIRED FOR THE PROTECTION OF TELEPHONE USERS AND MAINTAINERS. ADVICE AS TO WHETHER A HANDRAIL IS REQUIRED AND THE METHOD OF INSTALLATION SHALL BE SOUGHT FROM THE OVERSEEING ORGANISATION.



SECTION A - A

ELEVATION B - B



Note:
The NDX series of drawings represents non site specific installations of standard equipment and site layouts.

This drawing was generated on computer and must not be manually updated

TITLE

TYPICAL ERT 354 ALTERNATIVE FOR EXISTING POST 71 - TYPE M

ORIGINAL DRAWING SIZE: 297 x 420	DRN	A.N.O.	CHKD	A.W.	DATE	DATE	APPD/DATE
ALL DIMENSIONS ARE IN MM	C	GENERALLY UPDATED	E	UPDATED SEE REV. SHT.	BD 30/11/09		
TOLERANCE ± 1 UNLESS OTHERWISE STATED	D	REDRAWN			BD 13/10/09		
THIRD ANGLE PROJECTION DO NOT SCALE	ISSUE	AMENDMENTS	DRG. NO.	NDX1049-02ga	SHT. NO.	11 of 18	SCALE
					N.T.S.		