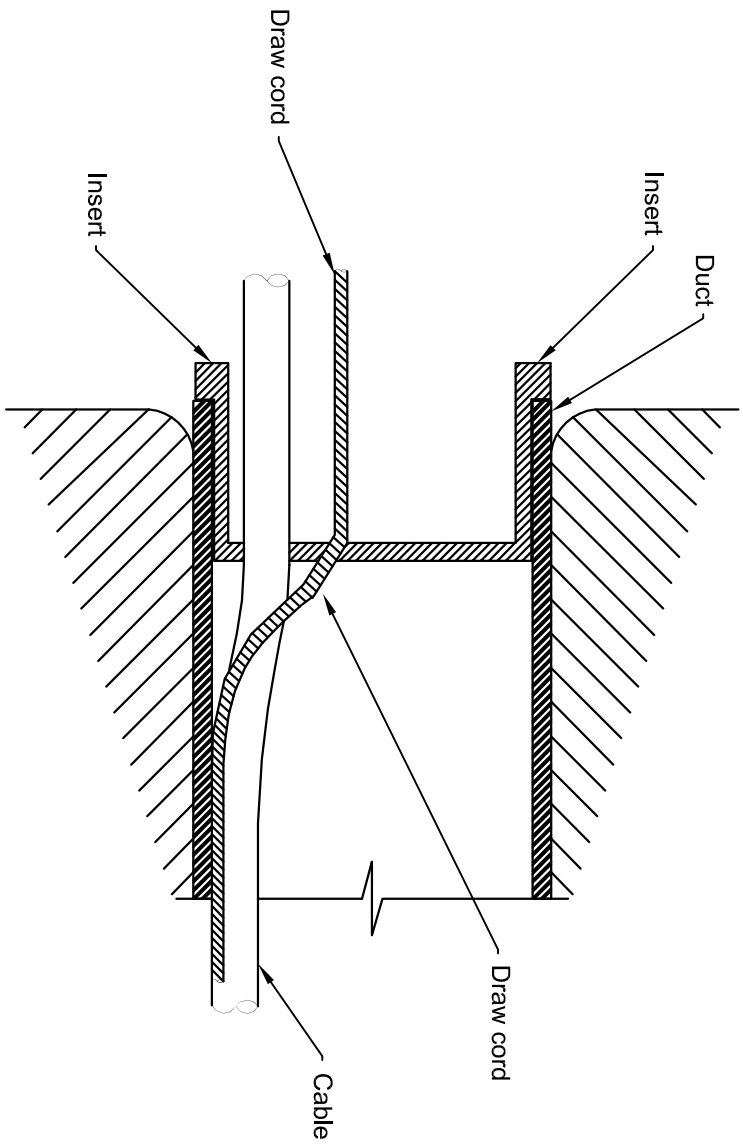
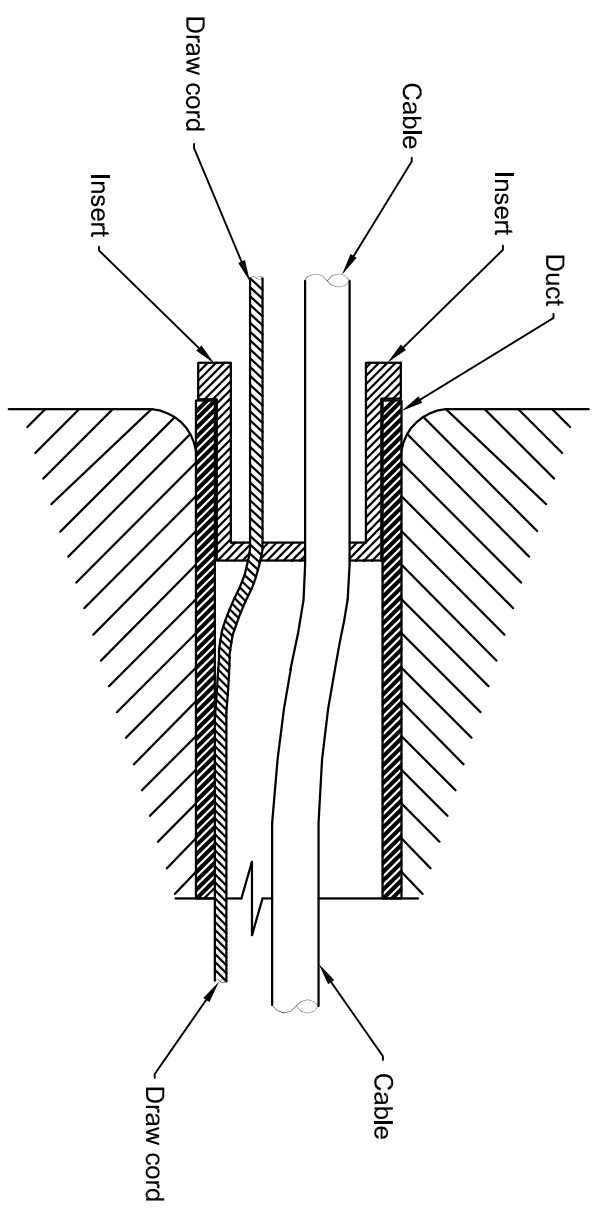


Note:
The NDX series of drawings represents non site specific installations of standard equipment and site layouts.



SECTION THROUGH DUCT AND DUCT INSERT
(100mm duct)



SECTION THROUGH DUCT AND DUCT INSERT
(50mm duct)

- NOTES**
1. The duct insert shown is typical.
 2. The duct insert will be fitted into the end of every duct at every chamber and every cabinet.
 3. The cable insert shall not hold cables captive.
 4. Provision should be made in the insert to allow any draw cord to be passed through it.
 5. For air test after back filling refer to Scottish Series 1500 clause 1533.

This drawing was generated on computer and must not be manually updated

TYPICAL DUCT INSTALLATION - MECHANICAL DUCT PLUGS

ORIGINAL DRAWING SIZE: 297 x 420	DRN	C.S.G.	CHKD	B.D.	SCALE
ALL DIMENSIONS ARE IN MM	DATE	25.09.01	DATE	29.09.01	N.T.S.
TOLERANCE +- 1 UNLESS OTHERWISE STATED	DRG. NO.	NDX1063-00dt			SHT. NO.
THIRD ANGLE PROJECTION DO NOT SCALE					7 of 10

ISSUE	AMENDMENTS	APPD/DATE
B	SEE REVISION SHEET	GC 09/02/06
D	UPDATED SEE REV. SHT.	BD 30/11/09
C	REDRAWN	BD 13/10/09